



# SUZUKI MARINE

Parts Book

Cabrea

EL 50



(732) 264-7176

(800) 338-0645 FAX (732) 264-2472

[www.brownspoint.com](http://www.brownspoint.com)

## PREFACE

When it becomes necessary to replace parts on CABREA OUTBOARD MOTORS, always use CABREA GENUINE PARTS which have passed a strict inspection which guarantees quality and performance.

This parts catalogue covers the list of all service parts for CABREA EL50.

### INSTRUCTIONS FOR QUOTING THE CATALOGUE

#### 1. DIMENSIONS

Dimensions of the parts in this catalogue are indicated in unit millimeters.

#### 2. ABBREVIATIONS

Abbreviations used in this catalogue are as follows:

AR	: As required	NT	: Number of teeth
ASSY	: Assembly	OPT	: Optional
E.No.	: Engine number	OS	: Over size
F.No.	: Frame number	STD	: Standard
d	: Diameter of material	T	: Thickness
ID	: Inside diameter	US	: Under size
OD	: Outside diameter	W	: Width
L	: Length	A,B	: Transom type
LH	: Left hand side	A=	SHORTSHAFT 15"
RH	: Right hand side	B=	LONGSHAFT 20"
-123456	: Up to F.No.05003-123456		
123456-	: From F.No.05003-123456		

12 x 34 x 5.6 ..... Figures in the description column  
| | | show the dimensions of parts.

ID OD T(or W,L)

#### 3. INNER PARTS OF ASSEMBLY

Parts number that have a period (.) mark in front of the part description on a text page are separately serviced parts of the assembly.

#### 4. MODIFICATION NOTICE

A parts bulletin will be sent to you on all occasions when changes in parts occur, including interchangeable modifications between new parts and old ones.

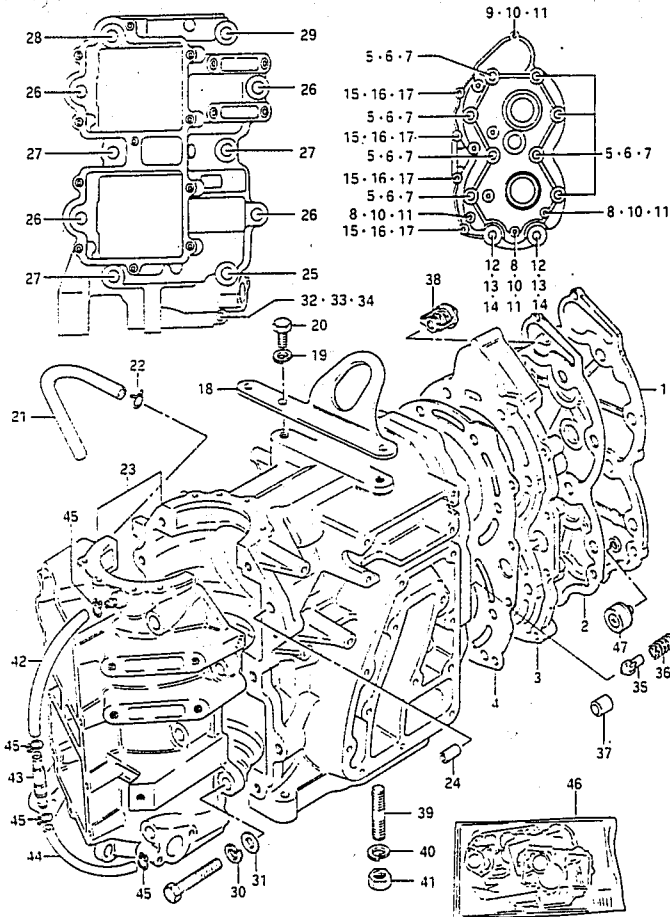
#### 5. NOTE

- 5-1. There are some different parts from those of production models among spare parts for the administrative reasons and common use of them with other models.
- 5-2. In respect of rubber hoses and vinyl tubes, please be sure to use them by cutting off according to the length mentioned on parts catalogue or what is actually required on the vehicle.
- 5-3. Note that the drawings on the illustration page are for ready reference of spare parts number, not to be used as an assembly manual. When assembling, use "CABREA SERVICE MANUAL".

#### 6. ENGINE NUMBER

CABREA EL 50 : 05003-803220-

FIG.1

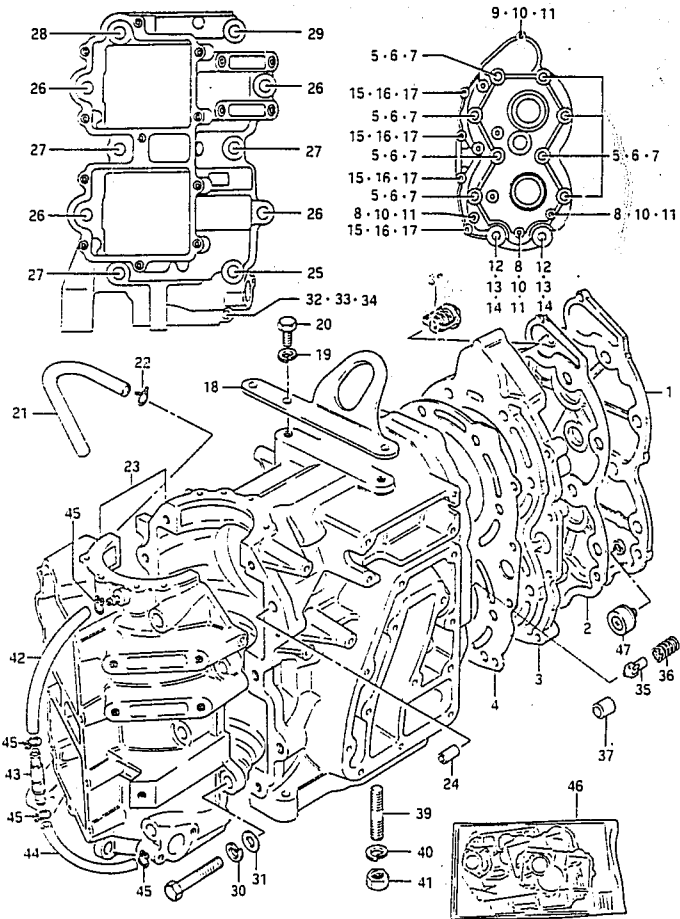


1

FIG.1 ( B- 2) CYLINDER

REF.NO.	PART NO.	DESCRIPTION	Q'TY	REMARKS
1	11161-95203-10V	COVER, cylinder head	1	
2	11162-95201	GASKET, cylinder head cover	1	
3-1	11111-95323-10V	HEAD, cylinder (A)	1	
3-2	11111-95331-10V	HEAD, cylinder (B)	1	
4	11141-95305	GASKET, cylinder head	1	
5	01107-10808	BOLT	8	
6	08321-21107	LOCK WASHER	8	
7	08322-11107	WASHER	8	
8	01107-06257	BOLT	3	
9	01107-06307	BOLT	1	
10	08321-21067	LOCK WASHER	4	
11	08322-21067	WASHER	4	
12	09119-10016	BOLT	2	
13	08321-21107	LOCK WASHER	2	
14	08322-11107	WASHER	2	
15	09100-06033	BOLT (6x35)	4	
16	08321-21067	LOCK WASHER	4	
17	08322-21067	WASHER	4	
18	11291-95204	HOOK, engLine	1	
19	08321-21082	LOCK WASHER	2	
20	01107-08202	BOLT	2	
21	09352-50903-540	HOSE (5x9x540)	1	L:540+110
22	09401-08410	CLIP	2	
23	11301-95252-10V	CYLINDER/CRANKCASE ASSY	1	
24	04211-09109	.KNOCK PIN	2	
25	01107-10852	.BOLT	1	
26	01107-10402	.BOLT	4	
27	01107-10652	.BOLT	3	
28	07110-10606	.BOLT	1	
29	01107-10702	.BOLT	1	

FIG.1

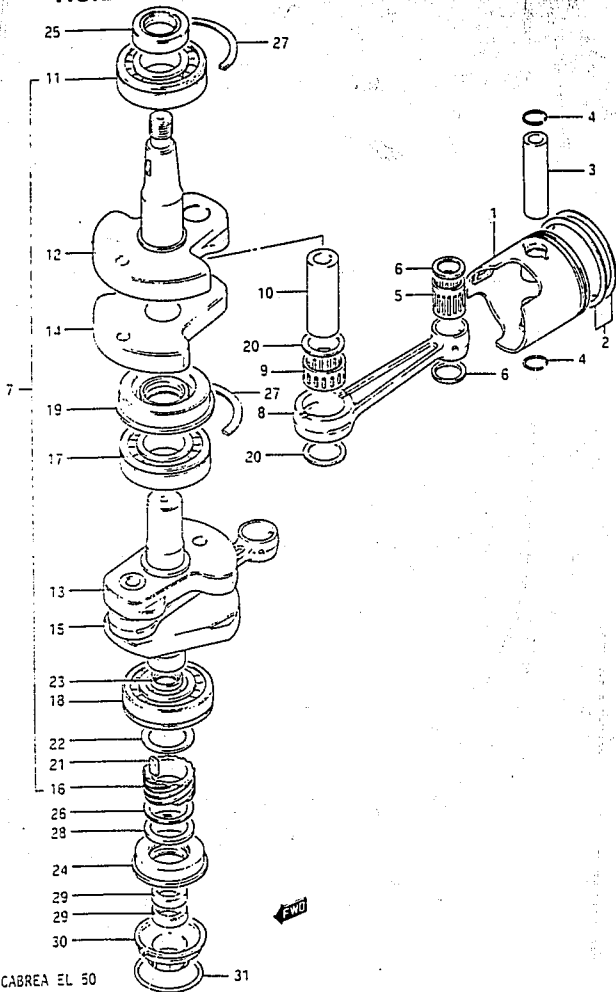


2

FIG.1 ( B- 3) CYLINDER

REF.NO.	PART NO.	DESCRIPTION	Q'TY	REMARKS
30	08321-21102	.LOCK WASHER	9	
31	08322-21102	.WASHER	9	
32	01107-06402	.BOLT	1	
33	08321-21062	.LOCK WASHER	1	
34	08322-21062	.WASHER	1	
35	17611-95201	VALVE, water bypass	1	
36	09440-11008	SPRING	1	
37	09248-16005	PLUG	1	
38-1	17670-95301	THERMOSTAT (42°C)	1	
38-2	17670-95291	THERMOSTAT (62°C)	1	OPT
39	09354-31684-400	HOSE, upper	1	L:400*200
40	16710-95200	CHECK VALVE	1	
41	09343-03039	HOSE, under	1	L:400*120
42	09401-06403	CLIP	4	
43	09108-08146	STUD BOLT	1	
44	09140-08016	NUT	1	
45	09162-08007	LOCK WASHER	1	
46	11401-95883	GASKET SET	1	OPT
47	55320-93142	ZINC	1	

FIG.2



CABREA EL 50

3

FIG.2 ( B- 4) CRANKSHAFT

REF.NO.	PART NO.	DESCRIPTION	Q'TY	REMARKS
1-1	12110-95513	PISTON	2	
1-2	12110-95324-025	PISTON (OS:0.25)	2	OPT
1-3	12110-95324-050	PISTON (OS:0.50)	2	OPT
2-1	12140-95302	RING SET, piston	2	
2-2	12140-95311-025	RING SET, piston (OS:0.25)	2	OPT
2-3	12140-95311-050	RING SET, piston (OS:0.50)	2	OPT
3	12151-95500	PIN, piston	2	
4	09381-20004	SNAP RING	4	
5	09263-20034	BEARING (20x25x27.9)	2	
6	09169-20001	WASHER	4	
7	12200-95306	CRANKSHAFT ASSY	1	
8	12161-95301	.ROD, connecting	2	
9	09263-28018	.BEARING	2	
10	12211-95300	.PIN, crank	2	
11	09264-35002	.BEARING	1	
12	12221-95304	.CRANKSHAFT, upper	1	
13	12232-95303	.WHEEL, middle, under	1	
14	12231-95302	.WHEEL, middel, upper	1	
15	12241-95305	.CRANKSHAFT, under	1	
16	16321-95301	.GEAR, oil pump drive	1	
17	09262-30065	.BEARING	1	
18	09262-35023	.BEARING	1	
19	09289-45001	.OIL SEAL	1	
20	08211-28362	.WASHER	4	
21	09421-08001	.KEY	1	
22	08211-30422	.THRUST WASHER	1	
23	09285-17002	OIL SEAL	1	
24	09283-30045	OIL SEAL	1	
25	09283-35029	DIL SEAL	1	

CABREA EL 50

B4

FIG.2

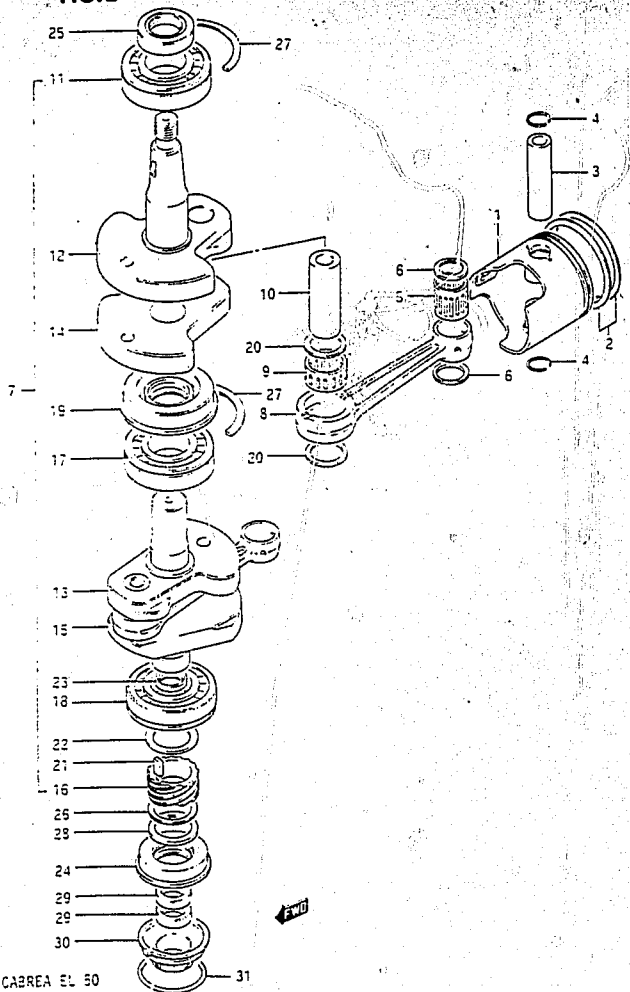


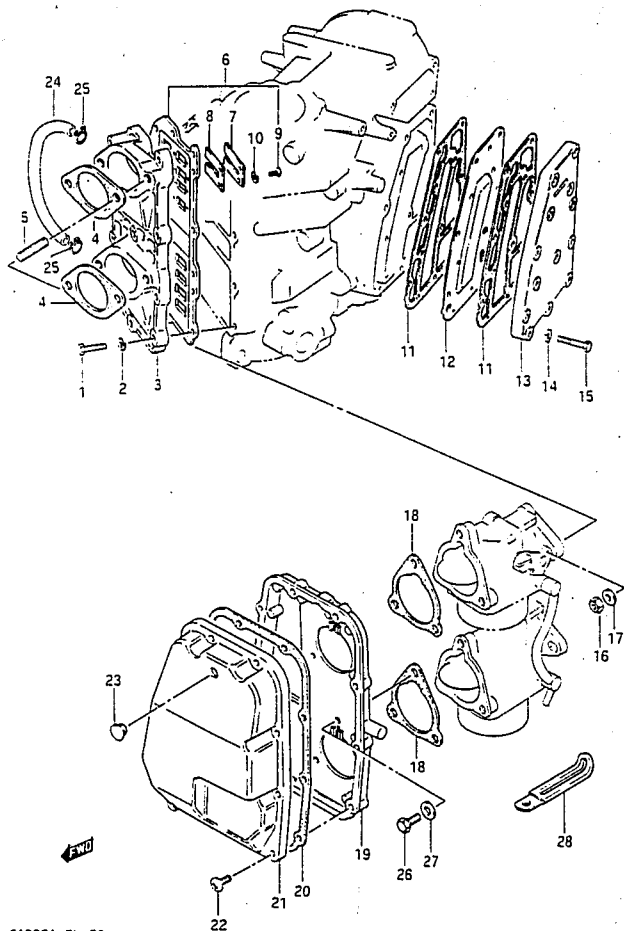
FIG.2 ( B- 5) CRANKSHAFT

REF. NO.	PART NO.	DESCRIPTION	Q'TY	REMARKS
26	08211-30401	THRUST WASHER	1	
27	09390-72008	C RING	2	
28	08331-11308	CIRCLIP	1	
29	09282-17004	OIL SEAL (17x28x6)	2	
30	11431-95300	HOUSING, under oil seal	1	
31	09280-50008	O RING	1	

FIG.3

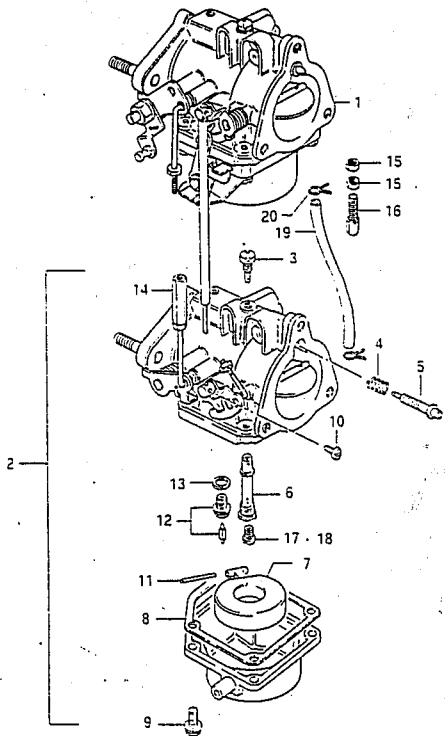
FIG.3 ( B- 6) INLET CASE/EXHAUST COVER

Q'TY



REF.NO.	PART NO.	DESCRIPTION	Q'TY	REMARKS
1	01107-06302	BOLT	11	
2	08321-21062	LOCK WASHER	11	
3	13110-95222-10V	CASE, inlet	1	
4	13125-93000	GASKET, carburetor	2	
5	01411-08202	STUD BOLT	2	
6	13150-95302	VALVE ASSY, lead	1	
7	13152-95500	.STOPPER, lead valve	8	
8	13153-95300	.VALVE, lead	8	
9	02112-03062	.SCREW	16	
10	08321-21032	.LOCK WASHER	16	
11	14151-95200	GASKET, exhaust cover	2	
12	14131-95200	PLATE, exhaust cover	1	
13	14141-95200-10V	COVER, exhaust	1	
14	08321-21062	LOCK WASHER	13	
15	01107-06302	BOLT	13	
16	08310-22082	NUT	4	
17	08322-11082	WASHER	4	
18	13855-93300	GASKET, silencer	2	
19	13811-95221	CASE, silencer	1	
20	13853-95310	GASKET, silencer	1	
21	13812-95311	COVER, silencer	1	
22	09128-05008	SCREW	9	
23	09250-15010	PLUG	2	
24	09352-50903-540	HOSE (5x9x540)	1	L:540*180
25	09401-08410	CLIP	2	
26	01107-06162	BOLT	6	
27	08322-21062	WASHER	6	
28-1	09404-06203	CLAMP	1	L: 55mm
28-2	09404-06204	CLAMP	1	L: 65mm

FIG.4



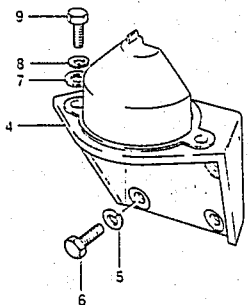
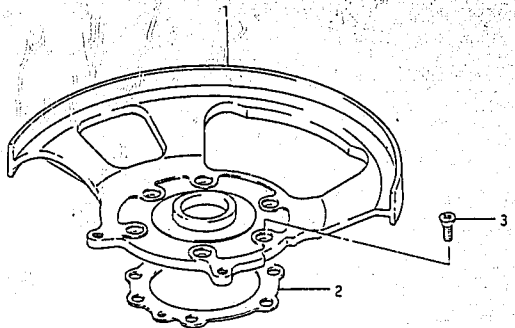
6

FIG.4 ( B-7) CARBURETOR

REF.NO.	PART NO.	DESCRIPTION	Q'TY	REMARKS
1	13201-95232	CARBURETOR ASSY, top	1	
2	13202-95232	CARBURETOR ASSY, 2nd	1	
3	09492-85001	.JET, pilot (#85)	2	
4	13271-93311	.SPRING, air screw	2	
5	13269-93311	.SCREW, pilot air	2	
6	13235-95210	.NOZZLE	2	
7	13250-93012	.FLOAT	2	
8	13251-93310	.GASKET, float chamber	2	
9	13249-95520	.SCREW	8	
10	13429-95510	.SCREW	2	
11	13254-93010	.PIN, float	2	
12	13370-28110	.VALVE ASSY, needle	2	
13	13392-58600	.GASKET, valve seat	2	
14	13582-95219	.NUT	1	2ND
15	13661-03010	.NUT	2	TOP
16	13577-15010	.THROTTLE, adjuster	1	TOP
17	09491-31003	.JET, main (#155)	2	
18-1	09491-30010	JET, main (#150)	2	OPT
18-2	09491-32006	JET, main (#160)	2	OPT
18-3	09491-29006	JET, main (#145)	2	OPT
19	09352-50903-540	HOSE (5x9x540)	1	L:540+135
20	09401-08410	CLIP	2	



FIG.5

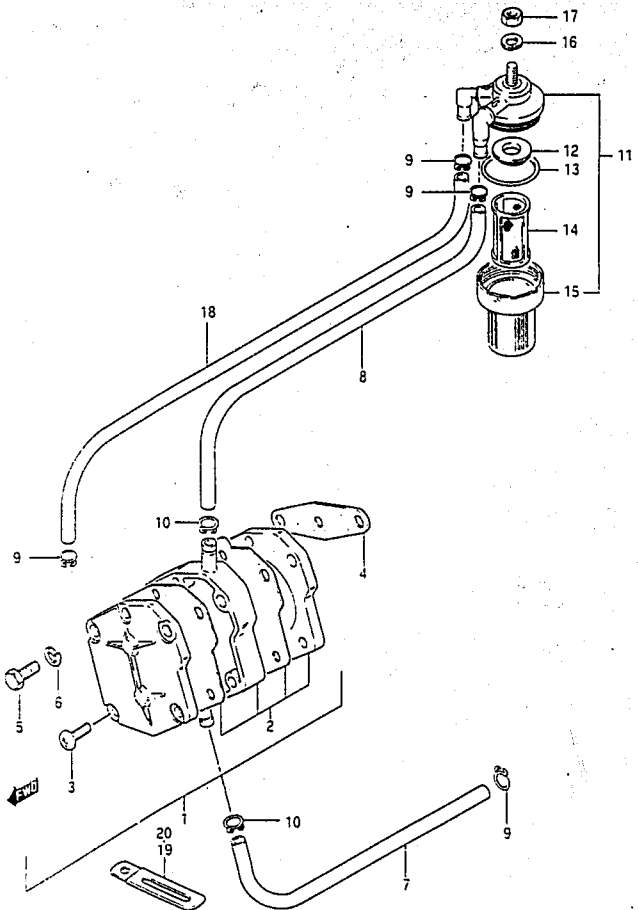


7

FIG.5 ( B- 8) UPPER OIL SEAL HOUSING

REF.NO.	PART NO.	DESCRIPTION	Q'TY	REMARKS
1	11411-95312-10V	HOUSING, upper oil seal	1	
2	11421-95201	GASKET, magneto case	1	
3	09126-06008	SCREW	6	
4	31911-95300-10V	BRACKET, starting motor	1	
5	08322-11088	WASHER	4	
6	01107-08207	BOLT	4	
7	08322-11088	WASHER	1	
8	08321-21088	LOCK WASHER	1	
9	01107-08258	BOLT	1	

FIG.6



8

FIG.6 ( B-9) FUEL PUMP

REF.NO.	PART NO.	DESCRIPTION	Q'TY	REMARKS
1	15100-94302	PUMP ASSY, fuel	1	
2	15170-94311	.DIAPHRAGM SET	1	
3	15851-94300	.SCREW	3	
4	15321-99700	GASKET, fuel pump	1	
5	01107-06402	BOLT	2	
6	08321-21062	LOCK WASHER	2	
7	09352-50903-540	HOSE (PUMP TO CARBU)	1	L:540+450
8	09352-50903-540	HOSE (FILTER TO PUMP)	1	L:540+85
9	09401-08410	CLIP	4	
10	15331-94300	CLIP	2	
11	15410-93400	FILTER, fuel	1	
12	15416-93400	.PACKING, filter	1	
13	15415-93400	.O RING	1	
14	15412-93400	.STRAINER	1	
15	15413-93400	.CUP	1	
16	08322-21082	LOCK WASHER	1	
17	08310-22082	NUT	1	
18	09343-05277	HOSE (CONNECTOR TO FILTER)	1	L:540+420
19	09404-06203	CLAMP	1	
20	09404-06413	CLAMP	1	

CABREA EL 50

CABREA EL 50

B9

FIG. 7

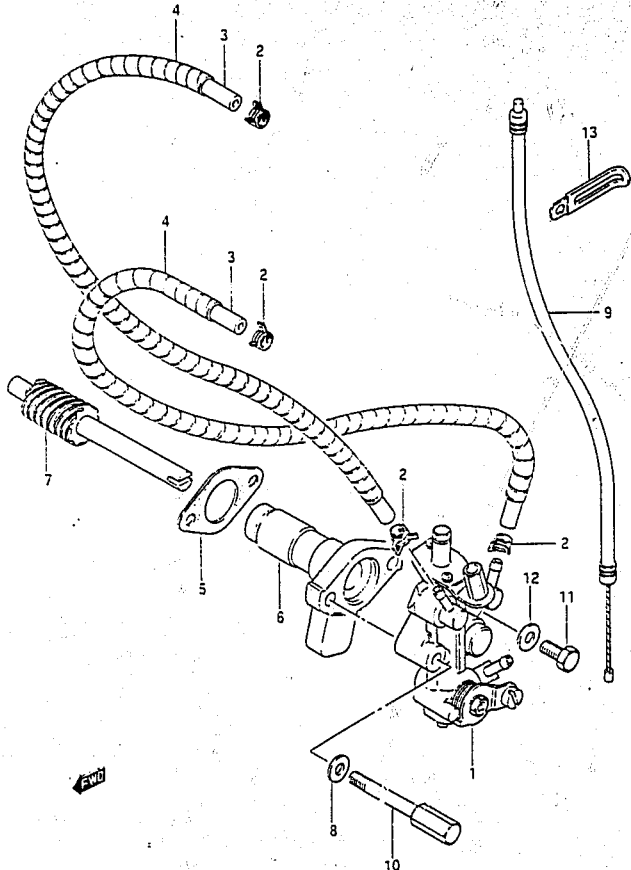
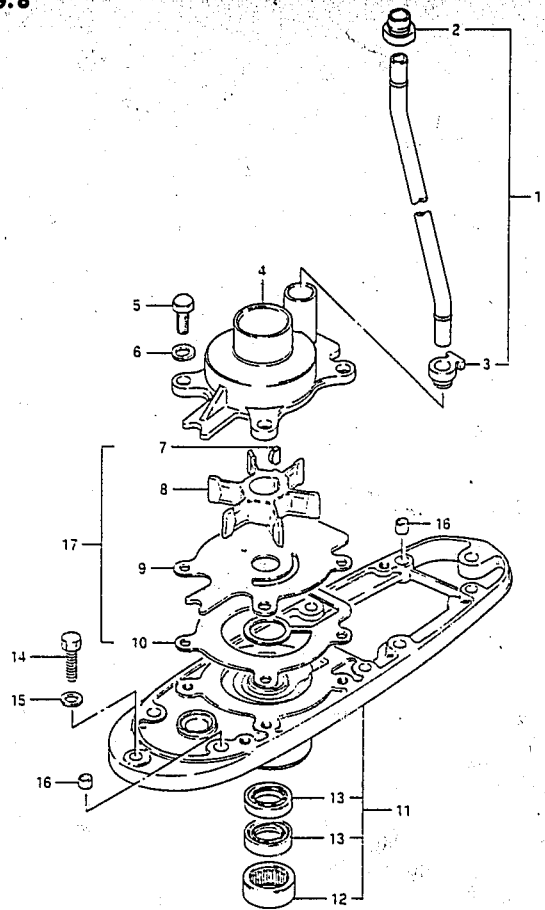


FIG. 7 ( B-10) OIL PUMP

REF. NO.	PART NO.	DESCRIPTION	Q'TY	REMARKS
1	16100-95201	PUMP ASSY, oil	1	
2	09401-06405	CLIP	4	
3	09351-25703-420	HOSE (2.5x7x420)	2	L:420+175
4	16911-94500	PROTECTOR, oil hose, No.1	2	
5	16731-95300	GASKET, oil pump retainer	1	
6	16340-95302	RETAINER, oil pump	1	
7	16331-95304	GEAR, driven	1	
8	08322-21052	WASHER	1	
9	16420-95301	CABLE, oil pump	1	
10	09119-05013	BOLT	1	
11	01107-05302	BOLT	1	
12	08322-21052	WASHER	1	
13	09404-06203	CLAMP	1	

FIG. 8

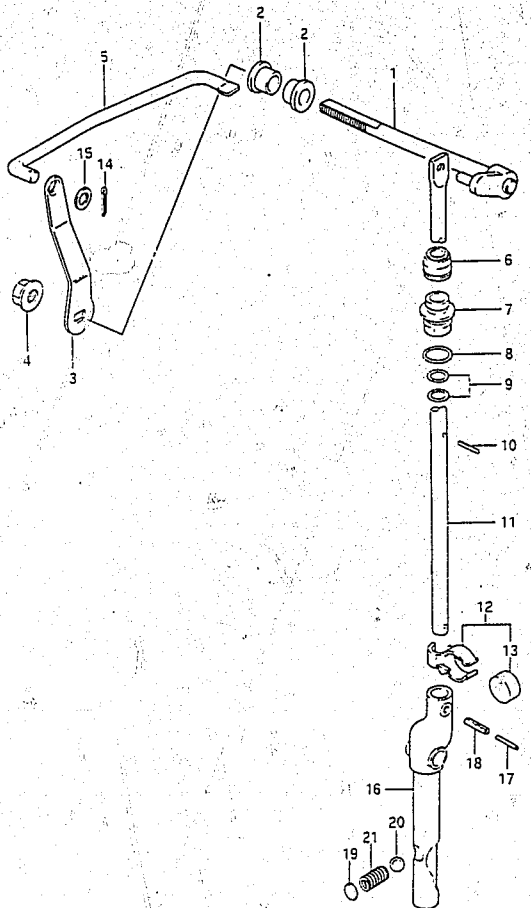


10

FIG. 8 ( B-11) WATER PUMP

REF.NO.	PART NO.	DESCRIPTION	Q'TY	REMARKS
1-1	17560-95510	TUBE, water (A)	1	SHORTSHAFT
1-2	17560-95500	TUBE, water (B)	1	LONGSHAFT
2	17563-95500	.RUBBER, water upper	1	
3	17564-95501	.RUBBER, water lower	1	
4	17411-95204	CASE, water pump	1	
5	09100-08139	BOLT (8x20)	4	
6	09162-08003	LOCK WASHER	4	
7	09420-04005	KEY	1	
8	17461-95300	IMPELLER, water pump	1	
9	17471-95504	PANEL, under	1	
10	17472-95310	GASKET, panel	1	
11	56130-95301-10V	HOUSING, drive shaft bearing	1	
12	09263-25025	.BEARING (25x33x15)	1	
13	09282-20006	.OIL SEAL	2	
14	09100-08232	BOLT	1	
15	09162-08003	LOCK WASHER	1	
16	09205-11001	SPRING PIN	2	
17	17400-95350	KIT, water pump repair	1	OPT

FIG. 9

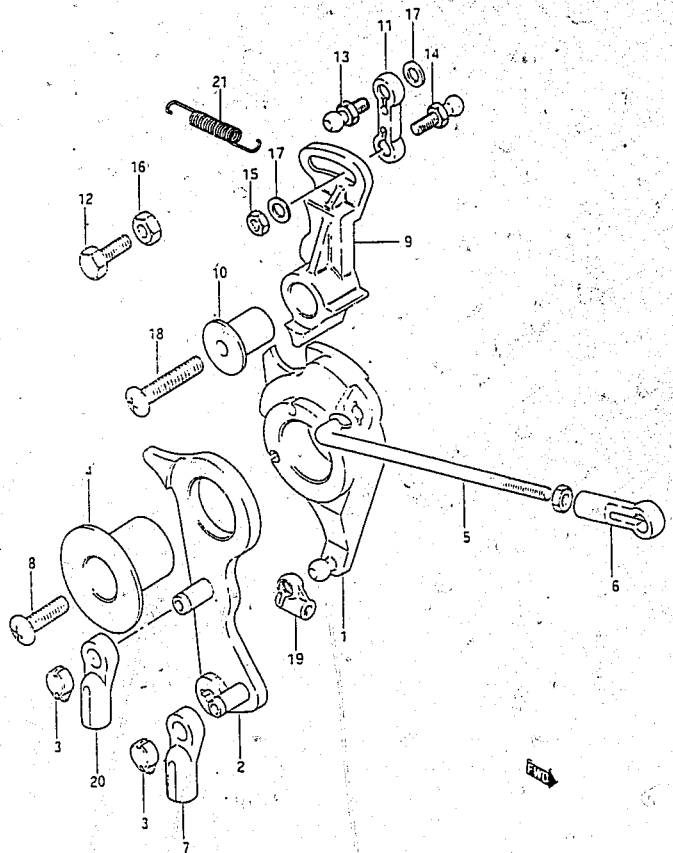


11

FIG. 9 ( C - 2 ) CLUTCH

REF. NO.	PART NO.	DESCRIPTION	Q'TY	REMARKS
1	21210-95201	SHAFT, clutch	1	
2	09306-08003	BUSH	2	
3	21213-95301	ARM, clutch shaft side	1	
4	08319-31087	NUT	1	
5	23111-95301	LINK, clutch	1	
6	25223-95200	DUST SEAL, shift rod	1	
7	25211-95203	GUIDE, shift rod	1	
8	09280-11001	O RING (O:2.4, ID:10.8)	1	
9	09280-08005	O RING (O:1.8, ID:7.6)	2	
10	09205-02004	SPRING PIN	1	
11-1	25111-95310	ROD, clutch (A)	1	SHORTSHAFT
11-2	25111-95502	ROD, clutch (B)	1	LONGSHAFT
12	25230-94300	MAGNET SET, gear case	1	
13	25232-94300	MAGNET, gear case	1	
14	09385-06003	PIN	1	
15	08322-21067	WASHER	1	
16	25310-95301	CAM, shift	1	
17	09205-02012	SPRING PIN	1	
18	09205-03030	PIN, spring	1	
19	21121-93300	PLATE, clutch notch	1	
20	09260-10005	STEEL BALL	1	
21	09440-07033	SPRING	1	

FIG.10

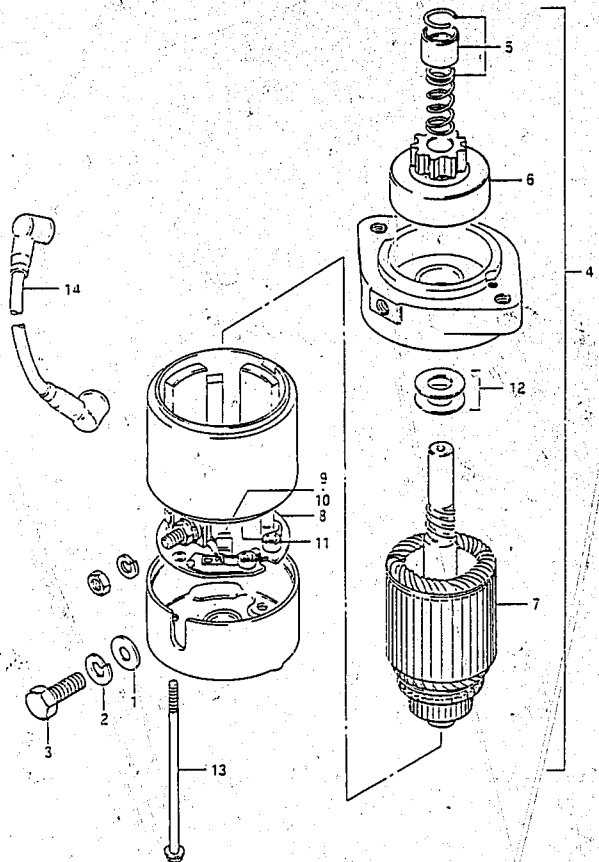


12

FIG.10 ( C-3) THROTTLE LINK

REF.NO.	PART NO.	DESCRIPTION	Q'TY	REMARKS
1	19111-95302	LEVER, throttle control	1	
2	19112-95303	LEVER, clutch control	1	
3	19113-95300	CAP, connector	2	
4	19114-95300	BUSH, throttle lever	1	
5	19135-95201	ROD, throttle lever	1	
6	67463-95200	CONNECTOR, throttle control	1	
7	67467-95201	CONNECTOR, remo-cont cable	1	
8	02142-06252	SCREW	1	
9	19115-95302	LEVER, spark advance	1	
10	19116-95300	BUSH, advance lever	1	
11	67468-95301	CONNECTOR, spark advance	1	
12	09100-06083	BOLT (6x30)	1	
13	09119-05010	BALL PIVOT	1	
14	09119-05010	BALL PIVOT	1	
15	09140-05001	NUT	1	
16	09140-06004	NUT	1	
17	09160-05010	WASHER (5.5x10x0.8)	2	
18	02142-06352	SCREW	1	
19	67467-95301	CONNECTOR, remo-cont cable	1	
20	23311-95201	CONNECTOR, clutch link	1	
21	09443-13010	SPRING	1	

FIG.11

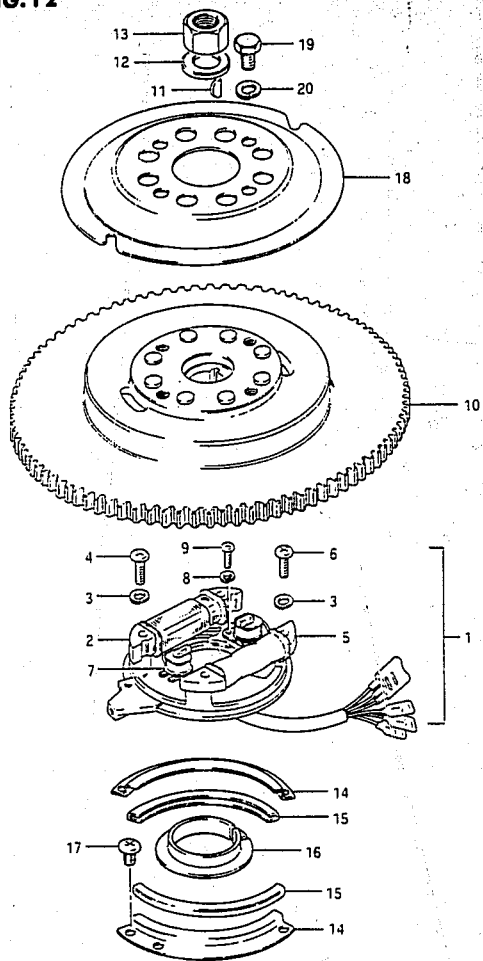


13

FIG.11 ( C- 4) STARTING MOTOR

REF.NO.	PART NO.	DESCRIPTION	Q'TY	REMARKS
1	08322-11088	WASHER	1	
2	08321-21088	LOCK WASHER	1	
3	01107-08258	BOLT	1	
4	31100-95313	MOTOR ASSY, starting	1	
5	31312-94601	.STOPPER SET, pinion	1	
6	31320-94510	.PINION ASSY	1	
7	31310-95310	.ARMATURE	1	
8	31173-95310	.HOLDER ASSY, brush	1	
9	31131-95310	.BRUSH (+)	1	
10	31132-95310	.BRUSH (-)	1	
11	31135-95310	.SPRING, brush	3	
12	31360-95520	.WASHER KIT	1	
13	31281-95310	.BOLT	2	
14	33820-95301	CABLE (+) TERMINAL RELAY	1	L:180

FIG. 12



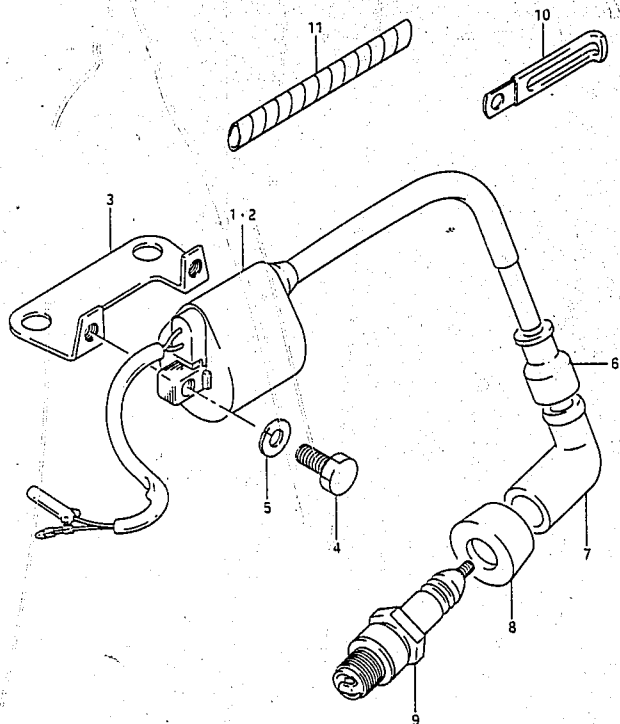
14.

FIG.12 ( C- 5) MAGNETO

REF.NO.	PART NO.	DESCRIPTION	Q'TY	REMARKS
1	32101-95321	STATOR ASSY	1	
2	32120-95301	.COIL, lighting	1	
3	08321-21057	.LOCK WASHER	4	
4	02112-05257	.SCREW	2	
5	32140-95320	.COIL, ignition primary	1	
6	02112-05208	.SCREW	2	
7	32150-95303	.SENSOR, ignition timing	1	
8	08321-21057	.LOCK WASHER	4	
9	02112-05107	.SCREW	4	
10	32102-95305	FLYWHEEL	1	
11	08341-31059	KEY	1	
12	09180-18007	SPACER (18.5x32x5)	1	
13	08310-12182	NUT	1	
14	32399-95300	RETAINER (3)	2	
15	32396-95302	RETAINER (2)	2	
16	32395-95310	RETAINER (1)	1	
17	02112-06082	SCREW	4	
18	32725-95310	INSULATOR, magneto	1	
19	01107-08162	BOLT	4	
20	08321-21082	LOCK WASHER	4	



FIG.13



15

FIG.13 ( C- 6) IGNITION COIL

REF.NO.	PART NO.	DESCRIPTION	Q'TY	REMARKS
1	33410-95301	COIL ASSY, ignition, upper	1	
2	33420-95301	COIL ASSY, ignition, lower	1	
3	33445-95301-10V	STAY, ignition coil	2	
4	01107-06162	BOLT	4	
5	08321-21062	LOCK WASHER	4	
6	33542-98000	SEAL, high tension cord	2	OPT
7-1	33510-95510	CAP, spark plug	2	
7-2	33510-22010	CAP, spark plug	1	OPT
8	33541-93310	SEAL, spark plug	2	OPT
9	09482-00278	SPARK PLUG (BBHSL.0)	2	
10	09404-06202	CLAMP (L:60)	2	
11	33833-95500	TUBE (L:100)	1	

FIG. 14

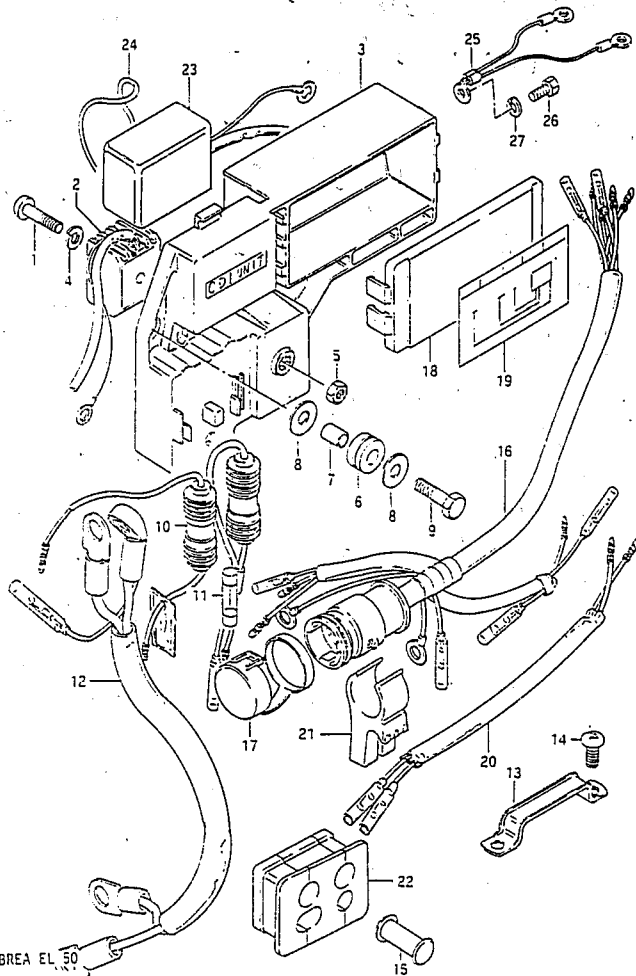


FIG. 14 ( C- 7) ELECTRICAL (1)

REF.NO.	PART NO.	DESCRIPTION	Q'TY	REMARKS
1	02112-05252	SCREW	1	
2	32800-95D01	RECTIFIER ASSY	1	
3	32890-95300	HOLDER, electric parts	1	
4	08321-21052	LOCK WASHER	1	
5	08310-11052	NUT	1	
6	09320-08001	CUSHION	3	
7	09180-06187	SPACER	3	
8	09160-06052	WASHER (6.5x16x1.2)	3	
9	01107-06257	BOLT	3	
10-1	36740-94500	CASE ASSY, fuse	1	RECTIFIER SIDE
10-2	36740-95300	CASE ASSY, fuse	1	BATTERY SIDE
11	09481-20001	.FUSE, 20A	1	
12	33810-95301	CABLE ASSY, starting motor	1	
13	36659-95501	CLAMP	1	
14	09125-06067	SCREW	2	
15	36663-94700	CAP, wire harness grommet	1	
16	36610-95314	WIRING HARNESS ASSY, remo-cont	1	
17	36631-94300	.CAP ASSY, remo-cont harness	1	
18	36650-95300	COVER, joint box	1	
19	36652-95310	LABEL, joint diagram	1	
20	36645-95500	WIRE, trim EX lead	1	
21	36616-95301	HOLDER, connector	1	
22	36656-94701	GROMMET	1	
23	32900-95320	C.D.I UNIT	1	
24	09280-52001	O RING (D:3, ID:52.5)	1	
25	36895-95300	LEAD	1	
26	01107-06127	BOLT	1	
27	08322-21067	WASHER	1	

FIG.15

17

FIG.15 ( C- 8) ELECTRICAL (2)

REF.NO.	PART NO.	DESCRIPTION	Q'TY	REMARKS
1	37721-95255	SWITCH, neutral	1	
2	37725-94302	ACTUATOR, neutral switch	1	
3	38600-95510	SOLENOID ASSY, choke	1	
4	37726-95302	BRACKET, neutral switch	1	
5	09100-06122	BOLT (6x20)	2	
6	09160-06015	WASHER (6.5x13x1)	2	
7	09162-06001	LOCK WASHER	2	
8	32910-95300	CONTROL UNIT	1	
9	09280-35003	BAND	1	
10	01517-06167	BOLT	1	
11	38410-94540	TRIM RELAY, UP	1	
12	38415-95200	BRACKET, trim relay	2	
13	09100-06113	BOLT (6x16)	4	
14	09160-06090	WASHER (6.5x13x1)	4	
15	09162-06001	LOCK WASHER	4	
16	34863-94500	TUBE (L:50)	1	
17	34850-95555	HEAT SWITCH	1	
18	34853-94500	SUPPORTER, heat switch	1	
19	09404-10201	CLAMP	1	

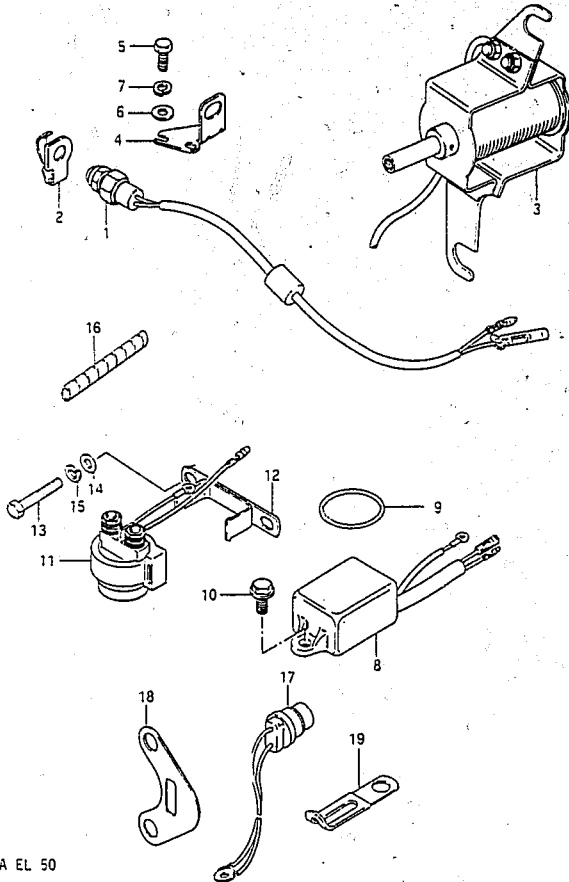


FIG.16 ( C- 9) ELECTRICAL (3)

REF.NO.	PART NO.	DESCRIPTION	Q'TY	REMARKS
1	31805-96350	BRACKET, starting motor	1	
2	31800-94400	RELAY, starter	1	
3	33830-95303	CABLE ASSY, trim	1	
4	34863-94500	TUBE	2	L:50
5	01107-06202	BOLT	1	
6	08321-21062	LOCK WASHER	1	
7	08322-21062	WASHER	1	
8	38422-94510	DAMPER, starter relay	1	

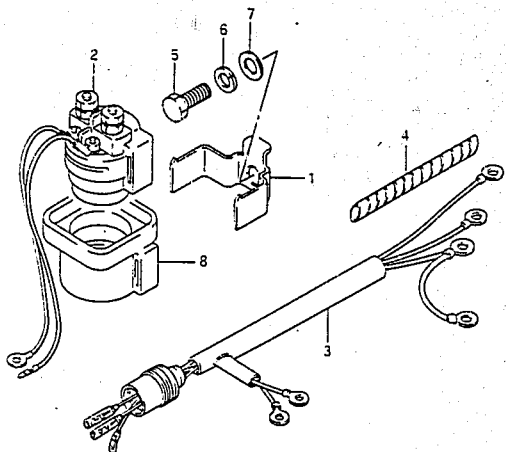
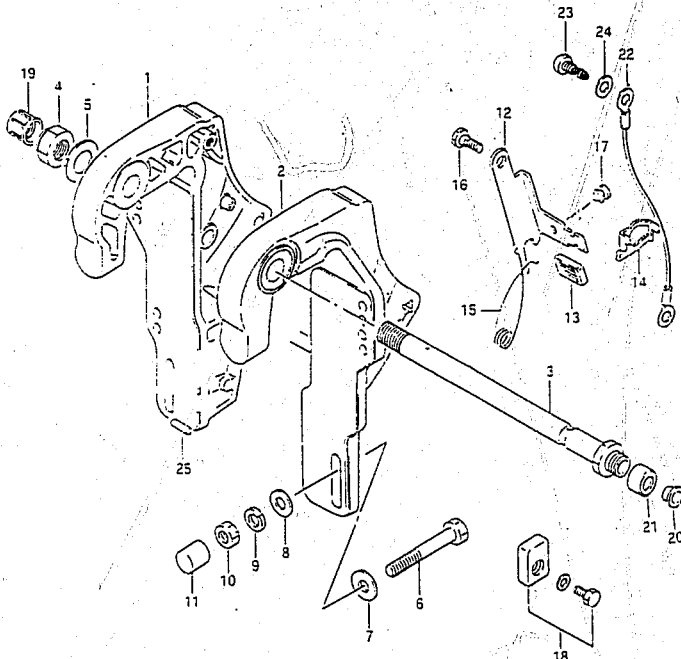


FIG.17



19

FIG.17 ( 0-2) CLAMP BRACKET

REF.NO.	PART NO.	DESCRIPTION	Q'TY	REMARKS
1	41111-95280-10V	BRACKET, clamp STBD	1	
2	41121-95280-10V	BRACKET, clamp PORT	1	
3	41130-95270	SHAFT, clamp bracket	1	
4	09159-22003	NUT	1	
5	09160-22046	WASHER	1	
6	09100-12039	BOLT	4	
7	09160-12044	WASHER	4	
8	09160-12066	WASHER	4	
9	09162-12005	LOCK WASHER	4	
10	09140-12028	NUT	4	
11	41153-94500	CAP, transom	4	
12	41222-95260-10V	ARM, tilt lock	1	
13	41225-94400	RUBBER, tilt lock lever	1	
14	41227-95250	BRACKET, tilt lock spring	1	
15	41228-95250	SPRING, tilt lock arm	1	
16	09111-12008	BOLT	2	
17	09321-06024	CUSHION	1	
18	55320-95310	ZINC	1	
19	41151-94500	CAP, clamp bracket shaft	1	
20	41152-94500	PLUG, clamp bracket shaft	1	
21	41161-74400	SEAL, steering cable	1	OPT
22	36894-95200	LEAD	1	L:165
23	09125-05050	SCREW	1	
24	09161-05014	WASHER	1	
25	09205-06012	SPRING PIN	2	

FIG.18 ( D- 3) SWIVEL BRACKET

Q'TY

REF.NO. PART NO. DESCRIPTION REMARKS

1-1	43111-95752-10V	BRACKET, swivel (A)	1	SHORTSHAFT
1-2	43111-95252-10V	BRACKET, swivel (B)	1	LONGSHAFT
2	22511-99003	NIPPLE, grease	4	
3	09306-26005	BUSH	2	
4-1	43750-95751-10V	BRACKET, steering (A)	1	SHORTSHAFT
4-2	43750-95251-10V	BRACKET, steering (B)	1	LONGSHAFT
5	43211-95250	BUSH, swivel	2	
6	09420-05003	KEY	1	
7	09166-25007	WASHER	1	
8	09140-24010	NUT	1	
9-1	09181-26006	SHIM (T:0.3)	0-2	
9-2	09181-26007	SHIM (T:0.5)	0-2	
10-1	36894-95200	LEAD	1	L:165
10-2	36894-95300	LEAD (A)	1	L:260
10-3	36894-94400	LEAD (B)	1	L:195
11	09161-05014	WASHER	3	
12	09125-05050	SCREW (5x8)	3	
13	09160-25052	WASHER	2	

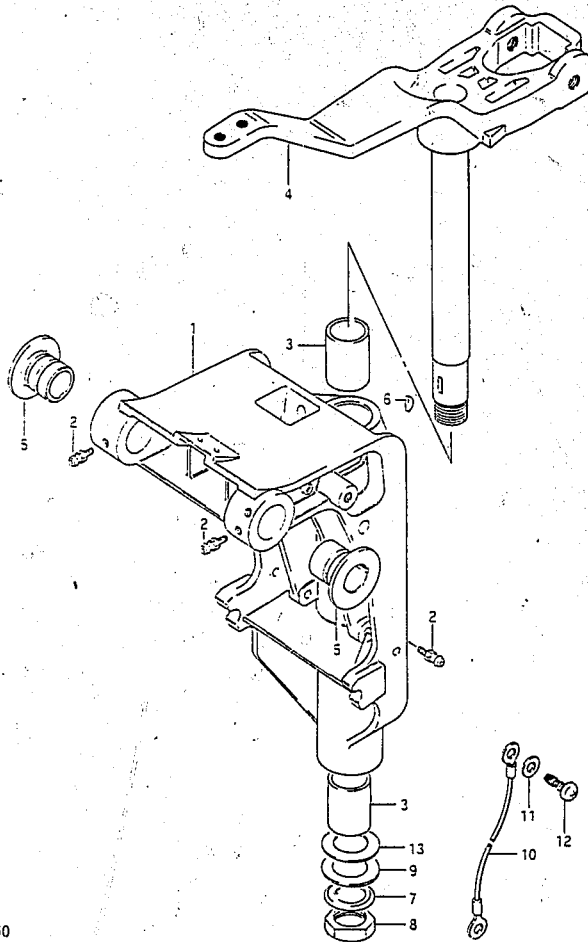
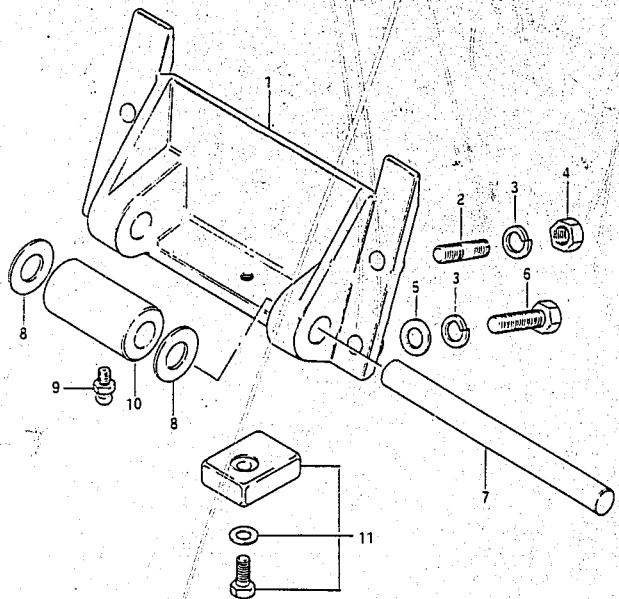
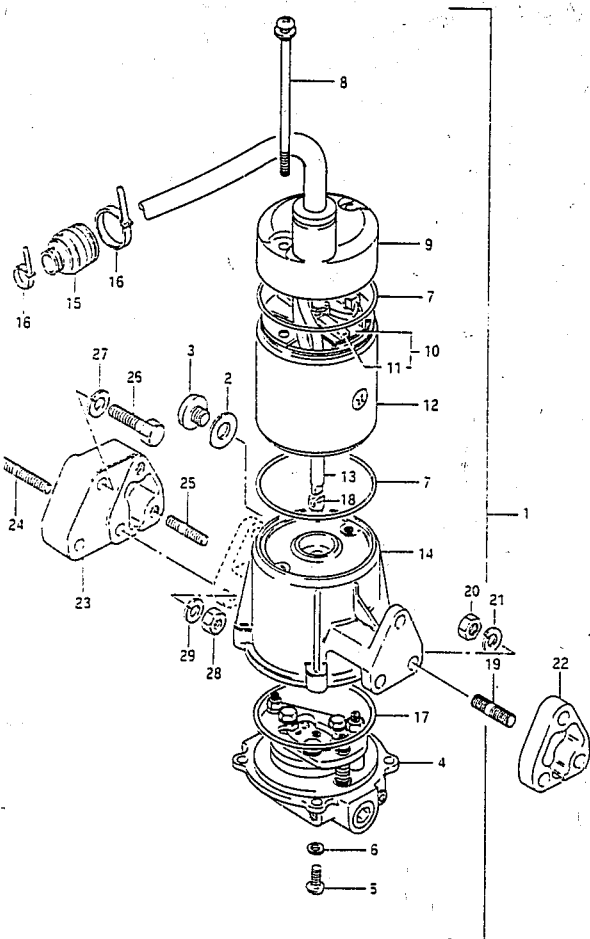


FIG.19 ( D- 4 ) CYLINDER SUPPORT



REF.NO.	PART NO.	DESCRIPTION	Q'TY	REMARKS
1	48111-95201-10V	BRACKET, oil cylinder support	1	
2	09108-10061	STUD BOLT	2	
3	09162-10005	LOCK WASHER	4	
4	09140-10031	NUT	2	
5	09160-10040	WASHER (10.5x19x2)	2	
6	09100-10220	BOLT (10x35)	2	
7	48121-95200	SHAFT, oil cylinder	1	
8	09160-15036	WASHER (15x30x2)	2	
9	22511-99003	NIPPLE, grease	1	
10	48163-95200-10V	SPACER, oil cylinder	1	
11	55320-95310	ZINC, protection	1	

FIG. 20



22

FIG.20 ( D- 5) POWER UNIT

REF.NO.	PART NO.	DESCRIPTION	Q'TY	REMARKS
1-1	48500-95211-10V	POWER TRIM/TILT ASSY	1	
1-2	48500-95284-10V	POWER TRIM/TILT ASSY	1	OPT:PORT SIDE
2	09168-10022	.GASKET (10x17x1.5)	2	
3	09248-10005	.PLUG	2	
4	48502-95204	.PUMP/VALVE BODY ASSY	1	
5	09125-05048	.SCREW	4	
6	09160-05032	.WASHER (5.5x10x0.8)	4	
7	09280-70006	.O RING (D:3.1, ID:69.4)	2	
8	31281-94520	.SCREW	2	
9	31170-94520-10V	.COVER, upper	1	
10	31173-94520	.BRUSH HOLDER ASSY	1	
11	31133-94520	.BRUSH	2	
12	31110-94520-10V	.YOKE ASSY	1	
13	31311-94600	.ARMATURE	1	
14	48570-94600-10V	.RESERVOR ASSY	1	
15	33899-95500	.SEAL, PTT cable	1	
16	36632-95501	.CLAMP	2	
17	48505-94520	.O RING	1	
18	48507-94520	.DRIVE JOINT	1	
19	09108-08137	STUD BOLT	3	
20	09140-08016	NUT	3	
21	09162-08007	LOCK WASHER	3	
22	48131-95200	SPACER, power unit	1	
23	48131-95280-10V	SPACER, power unit	1	OPT:PORT SIDE
24	09108-08063	STUD BOLT	1	OPT:PORT SIDE
25	09108-08130	STUD BOLT	2	OPT:PORT SIDE
26	09100-08220	BOLT	2	OPT:PORT SIDE
27	09162-08007	LOCK WASHER	2	OPT:PORT SIDE
28	09140-08016	NUT	3	OPT:PORT SIDE
29	09162-08007	LOCK WASHER	3	OPT:PORT SIDE



FIG. 21

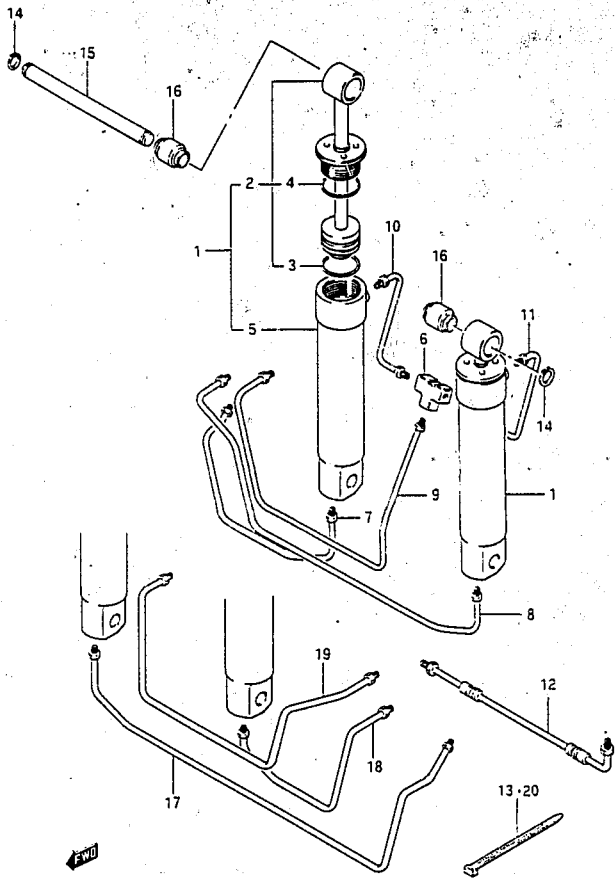


FIG.21 ( D- 6) TRIM CYLINDER

REF.NO.	PART NO.	DESCRIPTION	Q'TY	REMARKS
1	48600-95201-10V	CYLINDER ASSV, trim & tilt	2	
2	48601-95200	.PISTON	2	
3	48627-95510	.O RING, piston	2	
4	48633-95510	.O RING, head	2	
5	48641-95200	.TUBE, cylinder	2	
6	48711-95510	CONNECTOR, 3 way	2	
7	48720-95200	TUBE, inlet, No.1	1	
8	48730-95200	TUBE, inlet, No.2	1	
9	48750-95202	TUBE, outlet, No.1	1	
10	48760-95202	TUBE, outlet, No.2	1	
11	48770-95202	TUBE, outlet, No.3	1	
12	48790-95300	HOSE, power trim	3	OPT
13	09407-10403	CLAMP	4	
14	09380-12002	CIRCLIP	2	
15	48321-95200	PIN, piston rod	1	
16	09319-12041	BUSH	2	
17	48720-95280	TUBE INLET, No.1	1	OPT:PORT SIDE
18	48730-95280	TUBE INLET, NO.2	1	OPT:PORT SIDE
19	48750-95280	TUBE OUTLET	1	OPT:PORT SIDE
20	09407-10403	CLAMP	4	OPT:PORT SIDE

FIG. 22

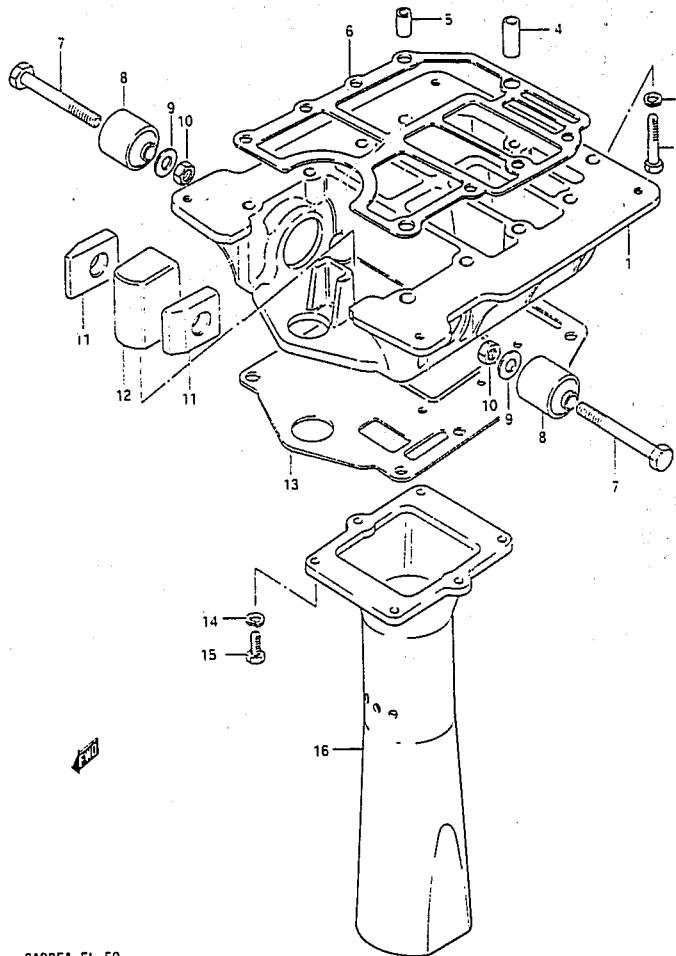


FIG. 22 ( D- 7) ENGINE HOLDER

REF.NO.	PART NO.	DESCRIPTION	Q'TY	REMARKS
1	51111-95210-10V	HOLDER, engine	1	
2	09100-08224	BOLT (8x35)	2	
3	09162-08003	LOCK WASHER	2	
4	09206-11005	PIN (11x20)	1	
5	09205-11001	SPRING PIN	2	
6	51211-95211	GASKET, engine holder	1	
7	09100-10208	BOLT	2	
8	54130-95201	MOUNT, upper	2	
9	09160-10082	WASHER (10.5x19x2)	2	
10	09140-10031	NUT	2	
11	54136-95200	STOPPER, upper mount	2	
12	54135-95200	MOUNT, upper thrust	1	
13	52113-95310	GASKET	1	
14	09162-06006	LOCK WASHER	6	
15	09100-06122	BOLT (6x20)	6	
16-1	14211-95370	TUBE, exhaust (A)	1	SHORTSHAFT
16-2	14211-95360	TUBE, exhaust (B)	1	LONGSHAFT

FIG. 23

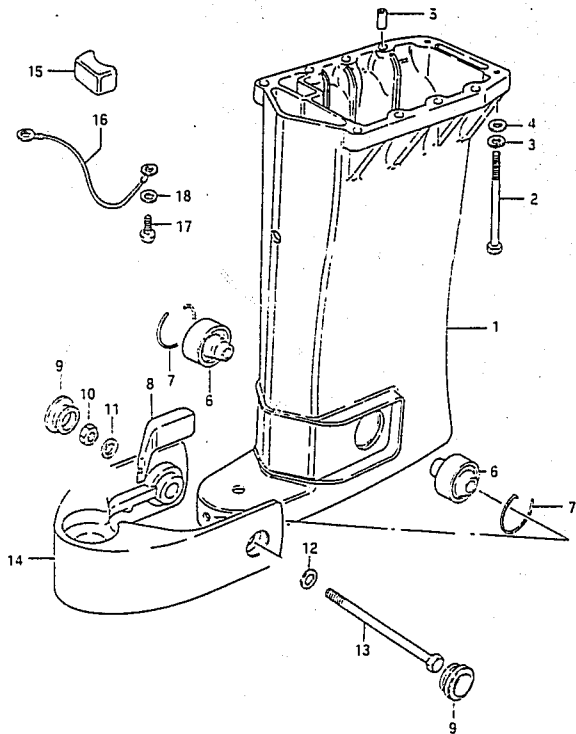


FIG. 23 ( D- 6) DRIVESHAFT HOUSING

REF.NO.	PART NO.	DESCRIPTION	Q'TY	REMARKS
1-1	52111-95721-10V	HOUSING, driveshaft (A)	1	SHORTSHAFT
1-2	52111-95231-10V	HOUSING, driveshaft (B)	1	LONGSHAFT
2	09100-08213	BOLT	8	
3	09162-08003	LOCK WASHER	8	
4	09160-08015	WASHER (8.5x16x1.2)	8	
5	09205-11001	SPRING PIN	2	
6	54160-95200	MOUNT, lower	2	
7	09387-46001	SET RING	2	
8	54167-95500	MOUNT, lower, side	2	
9	09250-28001	CAP	2	
10	09140-12029	NUT	1	
11	09160-12033	WASHER	1	
12	09160-12066	WASHER	1	
13	09100-12032	BOLT (12x145)	1	
14	54210-95210-10V	BRACKET, lower mount	1	
15	54165-95200	MOUNT, lower thrust	1	
16	36894-95200	LEAD	1	L:165
17	09125-05050	SCREW	2	
18	09161-05014	WASHER	2	

FIG. 24

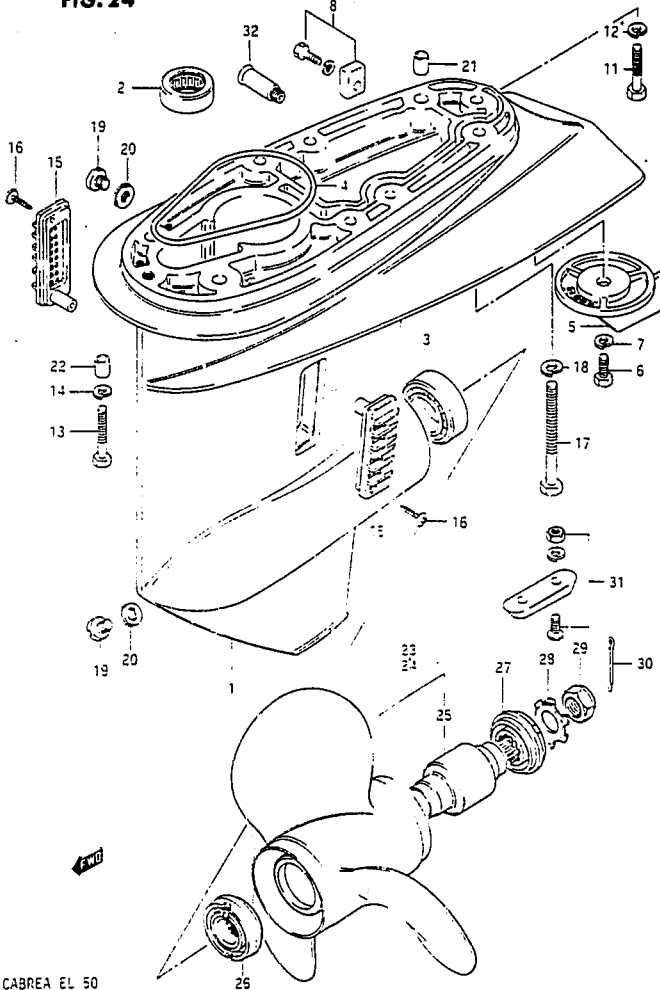
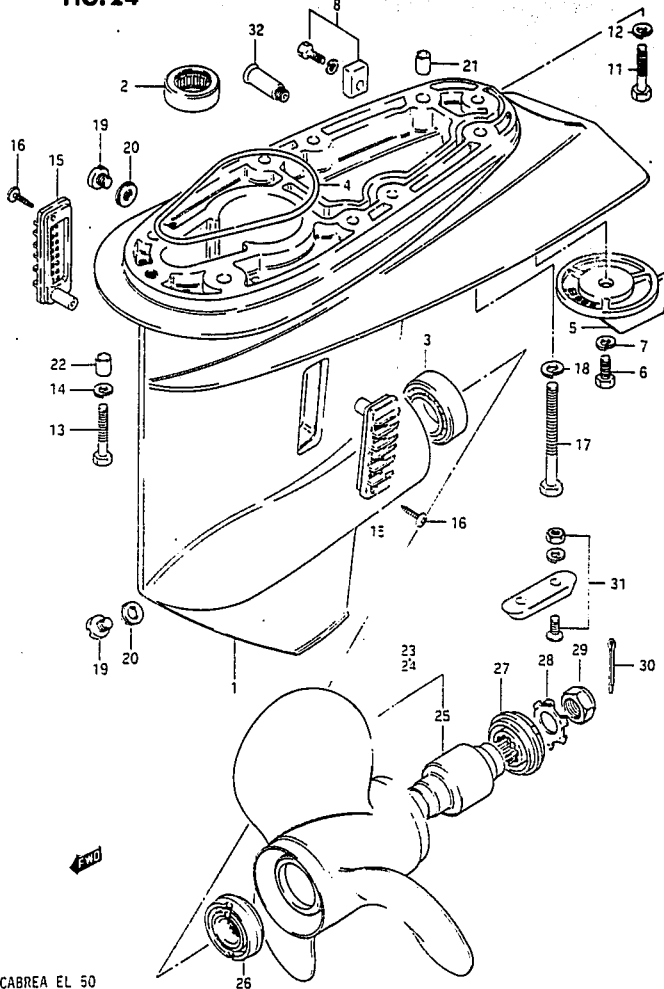


FIG. 24 ( D- 9) GEAR CASE

REF.NO.	PART NO.	DESCRIPTION	Q'TY	REMARKS
1	55100-95311-10V	CASE ASSY, gear	1	
2	09263-26008	.BEARING (26x34x30)	1	
3	09265-35001	.BEARING	1	
4	55122-95300	SEAL, gear case	1	
5	55125-95301	TRIM TAB	1	
6	09100-08215	BOLT	1	
7	09162-08003	LOCK WASHER	1	
8	55320-95310	ZINC SET, protection	1	
9	09100-06113	.BOLT (8x16)	1	
10	09160-06015	.WASHER (6.5x13x1)	1	
11	09100-08214	BOLT	2	
12	09162-08007	LOCK WASHER	2	
13	09100-08160	BOLT	6	
14	09162-08003	LOCK WASHER	6	
15	17631-94600	FILTER, water	2	
16	03142-04259	TAPPING SCREW	2	
17	09100-10221	BOLT	1	
18	09162-10005	LOCK WASHER	1	
19	09248-10005	PLUG	3	
20	09168-10022	GASKET (10x17x1.5)	3	
21	09206-11016	PIN (11x12)	1	
22	09206-11017	PIN (11x20)	1	

FIG. 24



27

FIG. 24 ( D-10) GEAR CASE

REF. NO.	PART NO.	DESCRIPTION	Q'TY	REMARKS
23-1	58100-94302-10V	PROPELLER (3x11-1/2x9)	1	S900
23-2	58100-95212-10V	PROPELLER (3x11-1/2x10)	1	S1000
21-3	58100-95393-10V	PROPELLER (3x11-5/8x12)	1	S1200
23-4	58100-95353-10V	PROPELLER (3x11-3/8x14)	1	S1400
23-5	58100-95363-10V	PROPELLER (3x11-1/4x15)	1	S1500
23-6	58100-95373-10V	PROPELLER (3x11-1/8x16)	1	S1600
23-7	58100-95382-10V	PROPELLER (3x11x17)	1	S1700
24-1	58100-94401	PROPELLER (3x11-1/2x13)	1	SS1300 (STAINLESS STEEL)
24-2	58100-94411	PROPELLER (3x11-3/8x14)	1	SS1400 (STAINLESS STEEL)
24-3	58100-94431	PROPELLER (3x11/1/8x16)	1	SS1600 (STAINLESS STEEL)
25	58120-95300	.BUSH, propeller	1	
26	57632-95310	STOPPER, propeller bush	1	
27	57633-94300	SPACER, propeller nut	1	
28	57635-95300	WASHER, propeller nut lock	1	
29	09159-18004	NUT	1	
30	09204-03003	PIN	1	
31	55300-95500	ZINC, protector	1	OPT
32	55181-95200	ATTACHMENT, flush hose	1	OPT

FIG. 25

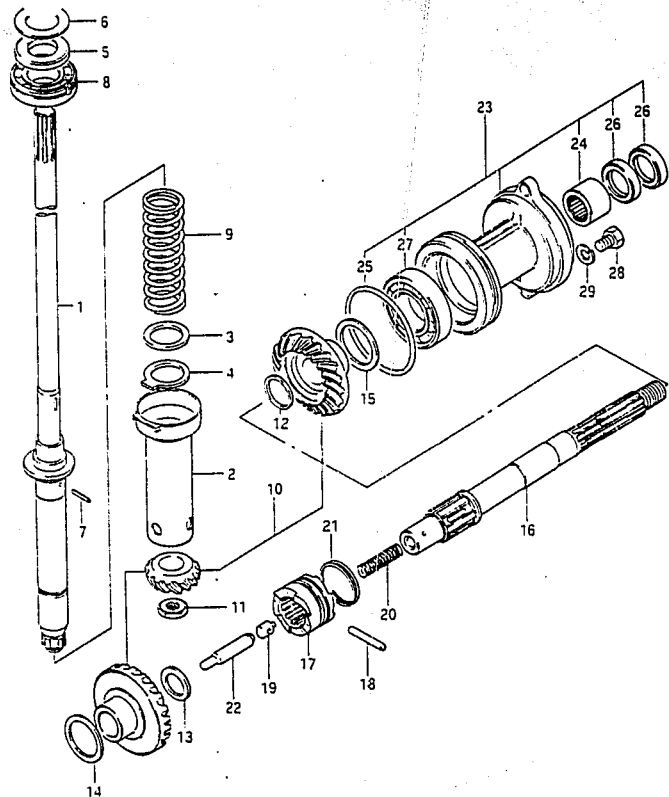
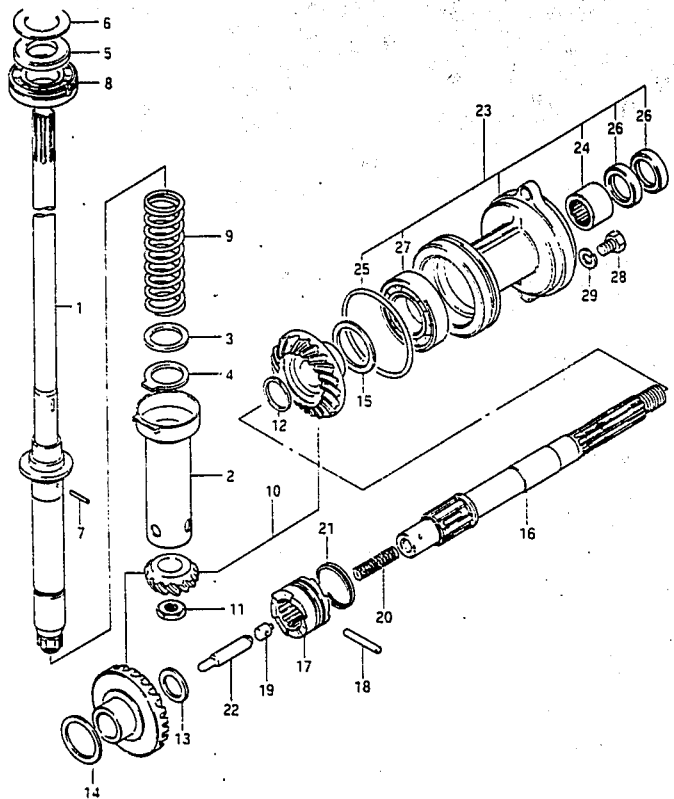


FIG. 25 ( D-11) TRANSMISSION

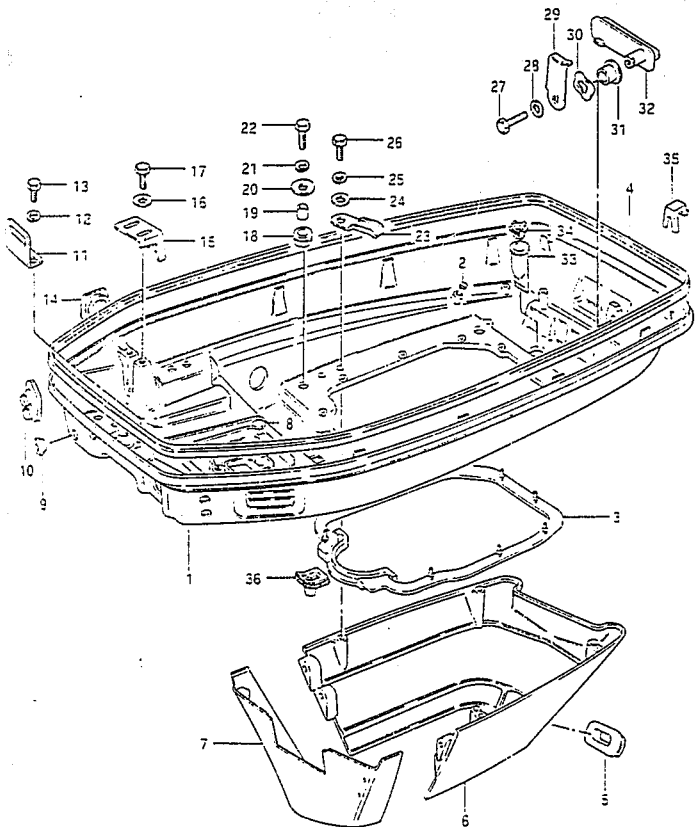
REF.NO.	PART NO.	DESCRIPTION	Q'TY	REMARKS
1-1	57110-95350	SHAFT, drive (A)	1	SHORTSHAFT
1-2	57110-95340	SHAFT, drive (B)	1	LONGSHAFT
2	57133-95300	COLLAR, gear oil pump guide	1	
3	09160-27007	WASHER	1	
4	09167-28005	WASHER	1	
5	09160-32010	WASHER	1	
6-1	09181-30019	SHIM (T:0.5)	0-1	
6-2	09181-30020	SHIM (T:0.6)	0-1	
6-3	09181-30021	SHIM (T:0.7)	0-1	
6-4	09181-30022	SHIM (T:0.8)	0-1	
6-5	09181-30023	SHIM (T:0.9)	0-1	
6-6	09181-30024	SHIM (T:1.0)	0-1	
7	09205-03022	SPRING PIN	1	
8	09269-30009	BEARING (30x62x16)	1	
9	09440-27010	SPRING	1	
10	57301-95851	PINION/GEAR SET	1	
11	09140-14024	NUT	1	
12-1	09160-25046	WASHER (T:1.8)	0-1	
12-2	09160-25047	WASHER (T:1.9)	0-1	
12-3	09160-25048	WASHER (T:2.0)	0-1	
12-4	09160-25049	WASHER (T:2.1)	0-1	
12-5	09160-25050	WASHER (T:2.2)	0-1	
12-6	09160-25051	WASHER (T:2.3)	0-1	
13	09160-22029	WASHER (T:2.5)	1	

FIG. 25



REF. NO.	PART NO.	DESCRIPTION	Q'TY	REMARKS
14-1	09181-35003	SHIM (35x45x0.5)	0-1	
14-2	09181-35007	SHIM (35x45x0.6)	0-1	
14-3	09181-35010	SHIM (35x45x0.7)	0-1	
14-4	08221-35456	SHIM (35x45x0.8)	0-1	
14-5	09181-35011	SHIM (35x45x0.9)	0-1	
14-6	08211-35451	THRUST WASHER (35x45x1)	0-1	
15-1	08221-40505	SHIM (T:0.5)	0-1	
15-2	09181-40016	SHIM (T:0.6)	0-1	
15-3	09181-40017	SHIM (T:0.7)	0-1	
15-4	08221-40506	SHIM (T:0.8)	0-1	
16	57610-95301	SHAFT, propeller	1	
17	57621-95301	SHIFTER, clutch dog	1	
18	09202-06024	PIN	1	
19	09209-09006	PIN	1	
20	09440-09017	SPRING	1	
21	09440-40001	SPRING	1	
22	57631-95310	ROD, push	1	
23	56120-95320-10V	HOUSING, propeller	1	
24	09263-25041	.BEARING	1	
25	09280-88001	.O RING	1	
26	09282-25001	.OIL SEAL (25x38x8)	2	
27	08113-60087	.BALL BEARING	1	
28	09100-08232	BOLT (8x30)	2	
29	09162-08003	LOCK WASHER	2	

FIG. 26



30

FIG.26 ( E- 2) LOWER COVER

REF.NO.	PART NO.	DESCRIPTION	Q'TY	REMARKS
1	61110-95620-10V	COVER, engine, lower	1	
2	61155-94500	.TUBE, water	1	
3	61113-95205	SEAL, under cover, lower	1	
4	61112-95208	SEAL, under cover, upper	1	
5	61142-95201	GROMMET, under cover, lower	1	
6	61141-95204-10V	COVER, lower rear, under	1	
7	61131-95201-10V	COVER, lower front, under	1	
8	09250-05003	PLUG	2	
9	63725-95200	GROMMET	1	
10	67331-95210	GROMMET	1	
11	61116-95202	BRACKET, engine cover	1	
12	09162-06001	LOCK WASHER	2	
13	09100-06115	BOLT (6x15)	2	
14	61124-95200	GROMMET, lower cover	1	
15	67271-95213	HOLDER, remo-cont cable	1	
16	09162-06001	LOCK WASHER	2	
17	09100-06115	BOLT (6x15)	2	
18	09320-10011	CUSHION	4	
19	09180-06112	SPACER (6.8x10x11.5)	4	
20	09160-06047	WASHER (6.5x22x2)	4	
21	09162-06006	LOCK WASHER	4	
22	09100-06120	BOLT (6x25)	4	



FIG. 26

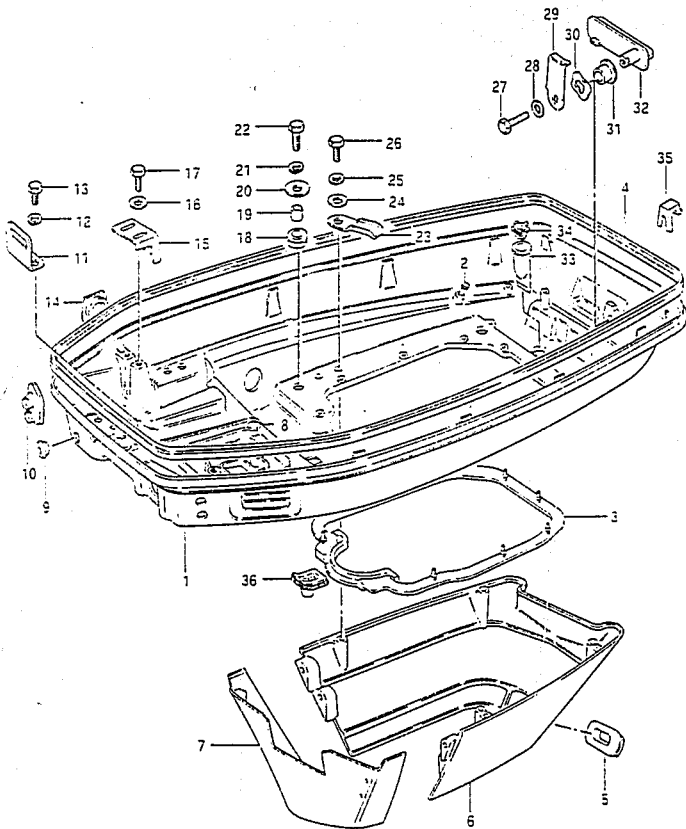


FIG. 26 ( E- 3) LOWER COVER

Q'TY

REF. NO.	PART NO.	DESCRIPTION	Q'TY	REMARKS
23	09403-07309	CLAMP	1	
24	09160-06082	WASHER (6.5x13x1)	8	
25	09162-06006	LOCK WASHER	8	
26	09128-06051	BOLT (6x20)	8	
27	01107-06102	BOLT	1	
28	08322-21062	WASHER	1	
29	61631-95310	HOOK, under cover	1	
30	09164-13005	WASHER	1	
31	09306-13002	BUSH	1	
32	61633-95202-10V	LEVER, hook	1	
33	61139-94500	TUBE, drain	1	
34	13979-37400	STOPPER, drain	1	
35	36641-95500	STOPPER, relay harness	4	
36	23131-95501	BOOT, clutch rod	1	

FIG. 27

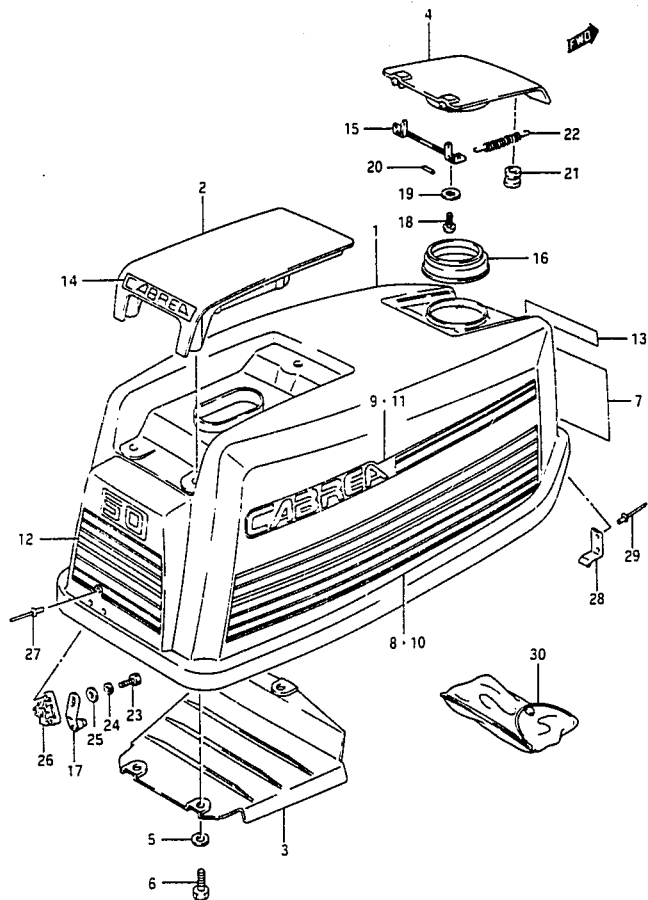
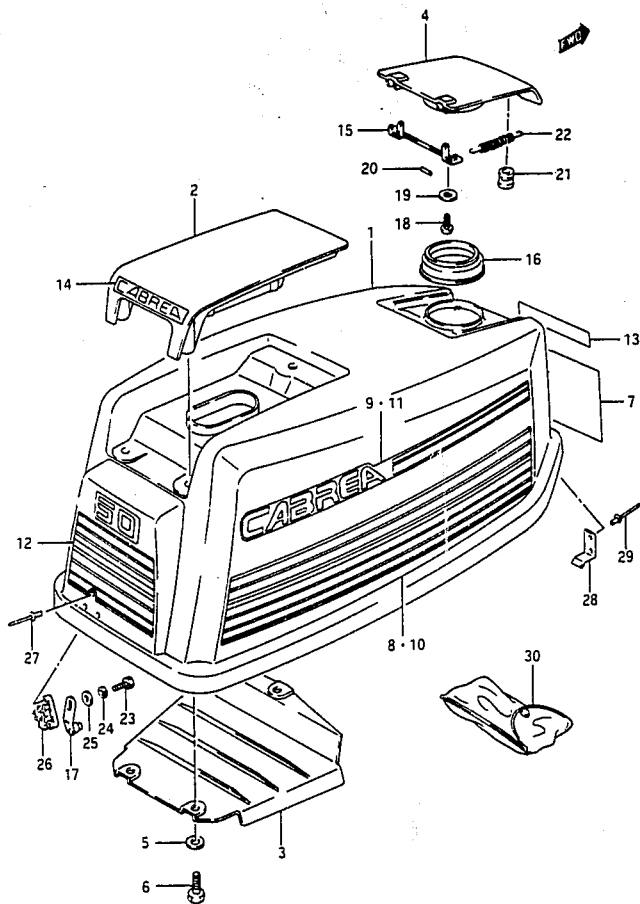


FIG. 27 ( E- 4) ENGINE COVER

REF.NO.	PART NO.	DESCRIPTION	Q'TY	REMARKS
1-1	61407-95870-10V	COVER SET, engine	1	DECAL:GOLD
1-2	61407-95880-33X	COVER SET, engine	1	DECAL:BLUE
1-3	61407-95890-34X	COVER SET, engine	1	DECAL:BLACK
2	61431-95201-10V	HANDLE, tilt up	1	
3	61433-95300	COVER, air intake inner	1	
4	61481-95303-10V	LID, oil tank filler	1	
5	09160-06036	WASHER (6.5x18x1.5)	3	
6	09100-06126	BOLT (6x16)	3	
7-1	61422-95920-2MN	MARK, emblem front (Gold)	1	DECAL:10V
7-2	61422-95920-8LB	MARK, emblem front (Blue)	1	DECAL:33X
7-3	61422-95920-2MP	MARK, emblem front (Gray)	1	DECAL:34X
8-1	61443-95920-2MN	DECAL, lower STBD (Gold)	1	DECAL:10V
8-2	61443-95920-8LB	DECAL, lower STBD (Blue)	1	DECAL:33X
8-3	61443-95920-2MP	DECAL, lower STBD (Gray)	1	DECAL:34X
9-1	61444-95920-2MR	DECAL, upper STBD (Gold)	1	DECAL:10V
9-2	61444-95920-2MS	DECAL, upper STBD (Blue)	1	DECAL:33X
9-3	61444-95920-2MT	DECAL, upper STBD (Gray+Red)	1	DECAL:34X
10-1	61453-95920-2MN	DECAL, lower port (Gold)	1	DECAL:10V
10-2	61453-95920-8LB	DECAL, lower port (Blue)	1	DECAL:33X
10-3	61453-95920-2MP	DECAL, lower port (Gray)	1	DECAL:34X
11-1	61454-95920-2MR	DECAL, upper port (Gold)	1	DECAL:10V
11-2	61454-95920-2MS	DECAL, upper port (Blue)	1	DECAL:33X
11-3	61454-95920-2MT	DECAL, upper port (Gray+Red)	1	DECAL:34X
12-1	61435-95930-2MN	MARK, emblem, rear (Gold)	1	DECAL:10V
12-2	61435-95930-8LB	MARK, emblem, rear (Blue)	1	DECAL:33X
12-3	61435-95930-2MP	MARK, emblem, rear (Gray)	1	DECAL:34X
13-1	61441-93910-7ZR	MARK, ornament, front (Black)	1	DECAL:10V
13-2	61441-93910-8LB	MARK, ornament, front (Blue)	1	DECAL:33X
13-3	61441-93910-2MP	MARK, ornament, front (Gray)	1	DECAL:34X
14-1	61441-93930-7ZR	MARK, ornament, rear (Black)	1	DECAL:10V
14-2	61441-93930-8LB	MARK, ornament, rear (Blue)	1	DECAL:33X
14-3	61441-93930-2MP	MARK, ornament, rear (Gray)	1	DECAL:34X

FIG. 27

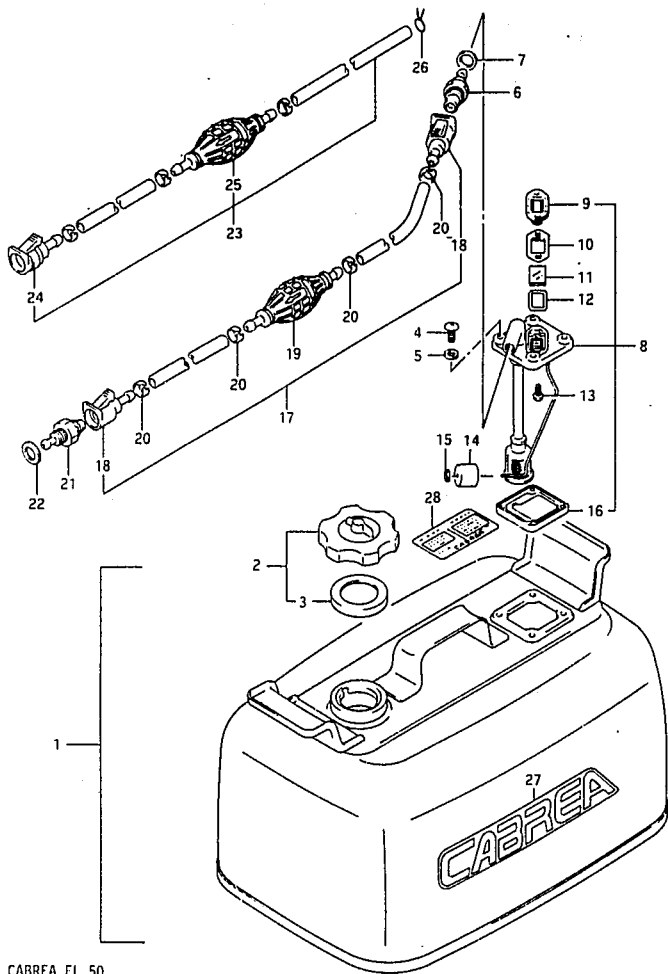


CABREA EL 50

FIG. 27 ( : E- 5) ENGINE COVER

REF.NO.	PART NO.	DESCRIPTION	Q'TY	REMARKS
15	61482-95302	.HINGE, oil tank lid	1	
16	61491-95300	.SEAL, LID OIL FILLER	1	
17	61610-96302	.FASTENER	1	
18	09125-06033	.SCREW (6x12)	2	
19	09160-06055	.WASHER (7x12x1)	2	
20	09205-03028	.PIN	2	
21	09329-05007	.CUSHION	2	
22	09443-04003	.SPRING	2	
23	01107-06122	.BOLT	1	
24	08321-21062	.LOCK WASHER	1	
25	08322-21062	.WASHER	1	
26	61621-96302	.BRACKET, fastener	1	
27	09229-04018	.RIVET	3	
28	61412-95203	.HOOK, cover	1	
29	09229-04005	.RIVET	2	
30	09800-81800	TOOL SET	1	

FIG. 28



CABREA EL 50

FIG. 28 ( E- 6) FUEL TANK

Q'TY

REMARKS

REF.NO.	PART NO.	DESCRIPTION	Q'TY	REMARKS
1	65800-92830	TANK SET, fuel (24L)	1	6.3 U.S GAL/5.3 IMP GAL
2	65510-92000	.CAP ASSY, separate tank	1	
3	65561-92000	.GASKET, tank cap	1	
4	02152-06162	.SCREW	4	
5	09168-06026	.GASKET	4	
6	65720-94411	.CONNECTOR, fuel	1	
7	09168-12015	.GASKET, connector	1	
8	65850-92001	.GAUGE ASSY, fuel	1	
9	65855-92000	.COVER, gauge	1	
10	65854-92020	.GASKET	1	
11	65853-92000	.LENS	1	
12	65854-92030	.GASKET, lens	1	
13	03242-04109	.SCREW	2	
14	65864-92000	.FLOAT	1	
15	65866-92000	.NUT, push	1	
16	65871-92000	.GASKET, fuel	1	
17	65700-87015	HOSE, fuel	1	W/TANK
18	65750-94403	.CONNECTOR, fuel	2	W/TANK
19	65770-95503	.PUMP, squeeze	1	W/TANK
20	65781-98500	.CLIP	4	W/TANK
21	65720-94401	CONNECTOR, fuel	1	
22	09161-10007	WASHER	1	
23	65700-98581	HOSE, fuel	1	OPT
24	65750-94403	.CONNECTOR, fuel	1	OPT
25	65770-93902	.PUMP, squeeze	1	OPT
26	09401-11402	.CLIP	3	OPT
27	61441-93940	MARK, ornament fuel tank	1	
28	65316-87050	MARK, fuel caution	1	

CABREA EL 50

FIG. 29

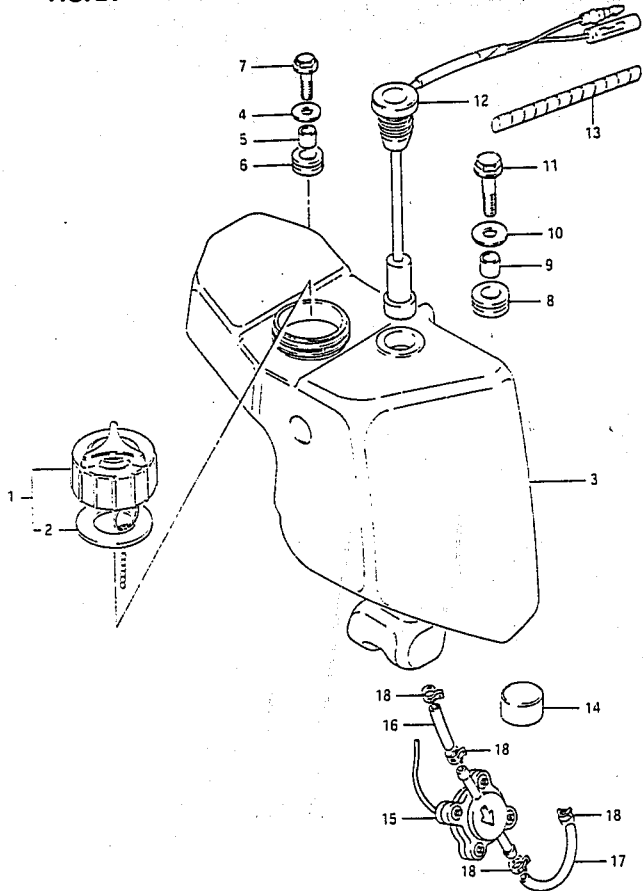
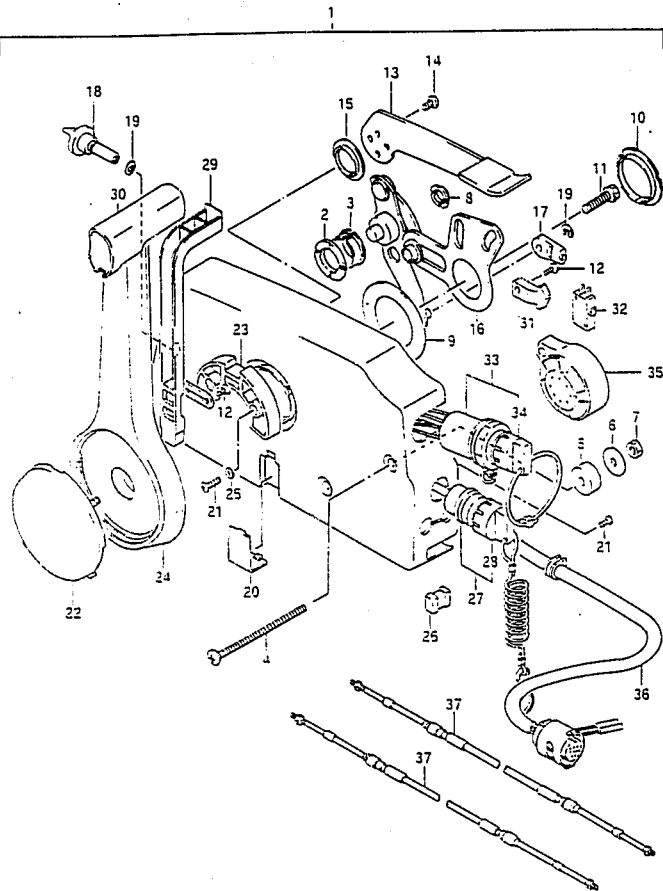


FIG. 29 ( E- 7) OIL TANK

REF.NO.	PART NO.	DESCRIPTION	Q'TY	REMARKS
1	69200-94502	CAP ASSY, oil tank filler	1	
2	69241-94500	.GASKET	1	
3	69110-95301	TANK, oil	1	
4	09160-06100	WASHER	1	
5	09180-06030	SPACER (6.8x10x10)	1	
6	09320-10008	CUSHION	1	
7	01517-06258	BOLT	1	
8	09320-12027	CUSHION	1	
9	09180-09014	SPACER (9x12x10)	1	
10	09160-08081	WASHER (8.5x23x1.5)	1	
11	01517-06252	BOLT	1	
12	34860-95311	SWITCH ASSY, oil level	1	
13	33833-95500	TUBE (L:100)	1	
14	09329-12004	CUSHION	1	
15	16250-94701	SENSOR, oil	1	
16	09351-50803-300	HOSE (TANK TO SENSOR)	1	L:300+60
17	09351-50803-300	HOSE (SENSOR TO PUMP)	1	L:300+150
18	09401-08409	CLIP	4	



FIG. 30



37

FIG.30 ( E- 9) OPTIONAL : REMOTE CONTROL

Q'TY

REF.NO.	PART NO.	DESCRIPTION	Q'TY	REMARKS
30	67261-95610	.GRIP	1	
31	67214-95600	.ACTUATOR	1	
32	37721-94600	.SWITCH, neutral	1	
33	37110-95500	.IGNITION SWITCH	1	
34	37141-95500	..KEY	1	
35	38500-87010	.BUZZER	1	
36	36620-94610	.WIRING HARNESS 7 WIRES	1	
37-1	67320-95500	CABLE, remocn 6F (1.8m)	2	
37-2	67320-95510	CABLE, remocn 7F (2.1m)	2	
37-3	67320-95520	CABLE, remocn 8F (2.4m)	2	
37-4	67320-95530	CABLE, remocn 9F (2.7m)	2	
37-5	67320-95540	CABLE, remocn 10F (3.1m)	2	
37-6	67320-95550	CABLE, remocn 11F (3.4m)	2	
37-7	67320-95560	CABLE, remocn 12F (3.7m)	2	
37-8	67320-95570	CABLE, remocn 13F (4.0m)	2	
37-9	67320-95580	CABLE, remocn 14F (4.3m)	2	
37-10	67320-95590	CABLE, remocn 15F (4.6m)	2	
37-11	67320-95600	CABLE, remocn 16F (4.9m)	2	
37-12	67320-95610	CABLE, remocn 17F (5.2m)	2	
37-13	67320-95620	CABLE, remocn 18F (5.5m)	2	
37-14	67320-95630	CABLE, remocn 19F (5.8m)	2	
37-15	67320-95640	CABLE, remocn 20F (6.1m)	2	
37-16	67320-95650	CABLE, remocn 22F (6.7m)	2	

FIG.31

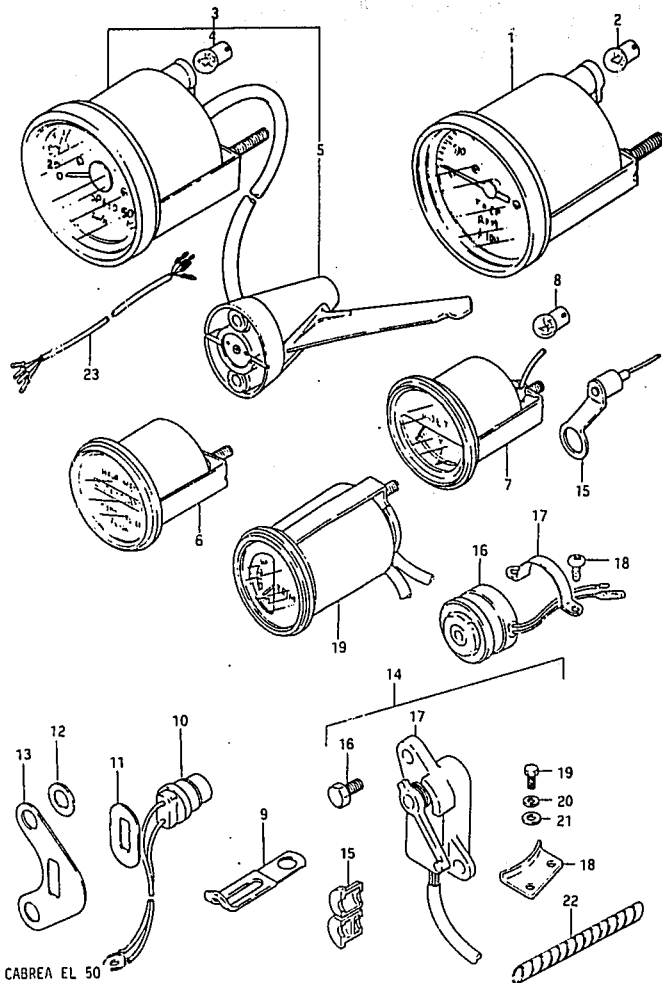
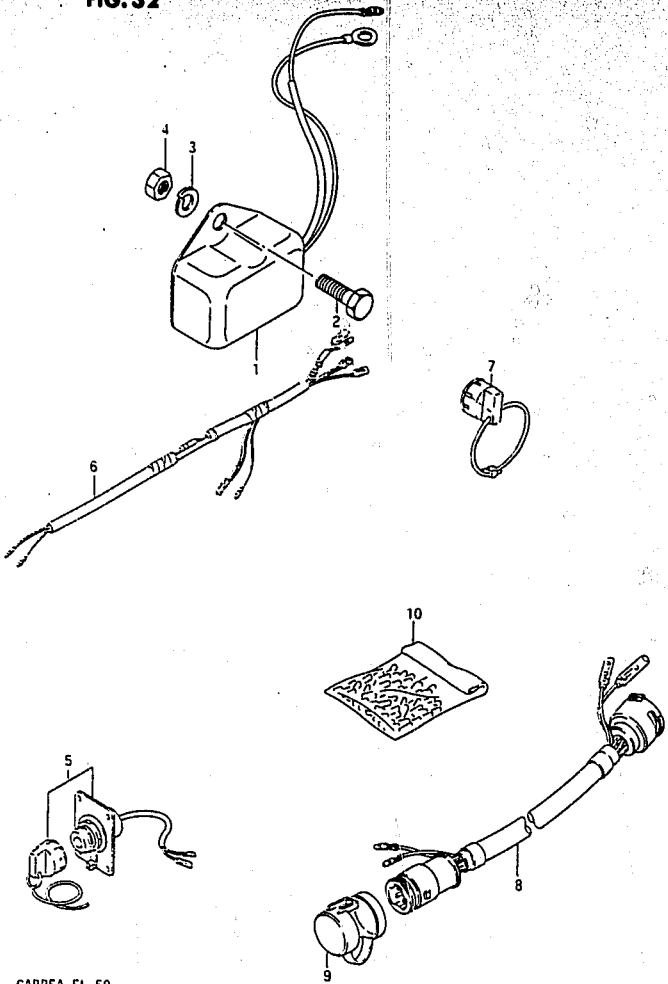


FIG.31 ( E-10) OPT : ELECTRICAL (1)

REF.NO.	PART NO.	DESCRIPTION	Q'TY	REMARKS
1	34200-87030	TACHMETER ASSY	1	
2	09471-12001	.BULB (12V,3.4W)	1	
3	34100-87030	SPEEDOMETER ASSY	1	
4	09471-12001	.BULB (12V,3.4W)	1	
5	34190-95500	.SENSOR ASSY, speedometer	1	
6	34500-87010	HOURL METER ASSY	1	
7	34600-87020	METER ASSY, voltage	1	
8	09471-12001	.BULB (12V,3.4W)	1	
9	09404-10201	CLAMP	1	
10	34850-95510	SWITCH, heat	1	
11	34854-95300	FILLER, heat switch	1	
12	09160-10098	WASHER	1	
13	34853-94500	SUPPORTER, thermo unit	1	
14	34801-95301	SENDER, trim	1	
15	34803-94500	.GROMMET, sender read	1	
16	09100-06102	.BOLT (6x16)	2	
17	34801-95230	.TRIM, sender	6	
18	34802-95301	.ATTACHMENT	1	
19	09100-06131	.BOLT	2	
20	09162-06006	.LOCK WASHER	2	
21	09160-06082	.WASHER	2	
22	34863-94300	.TUBE (L:200)	1	
23-1	36680-94600	WIRE, sender EXT A	1	2 meters
23-2	36680-94610	WIRE, sender EXT B	1	5 meters



FIG. 32



39

FIG. 32 ( E-11) OPT : ELECTRICAL (2)

REF.NO.	PART NO.	DESCRIPTION	Q'TY	REMARKS
1	32500-95722	REGULATOR ASSY, voltage	1	
2-1	01107-06162	BOLT	1	
2-2	01107-06352	BOLT	1	
3	08321-21062	LOCK WASHER	2	
4	08310-11062	NUT	2	
5	34108-94500	SWITCH ASSY, meter	1	
6	34109-94500	LEAD, meter extension	1	
7	37141-95500	KEY, ignition switch	1	
8	36620-87020	WIRING HARNESS, extension	1	
9	36631-94300	.CAP	1	
10	36990-87000	TERMINAL & SLEEVE SET	1	

FIG. 33

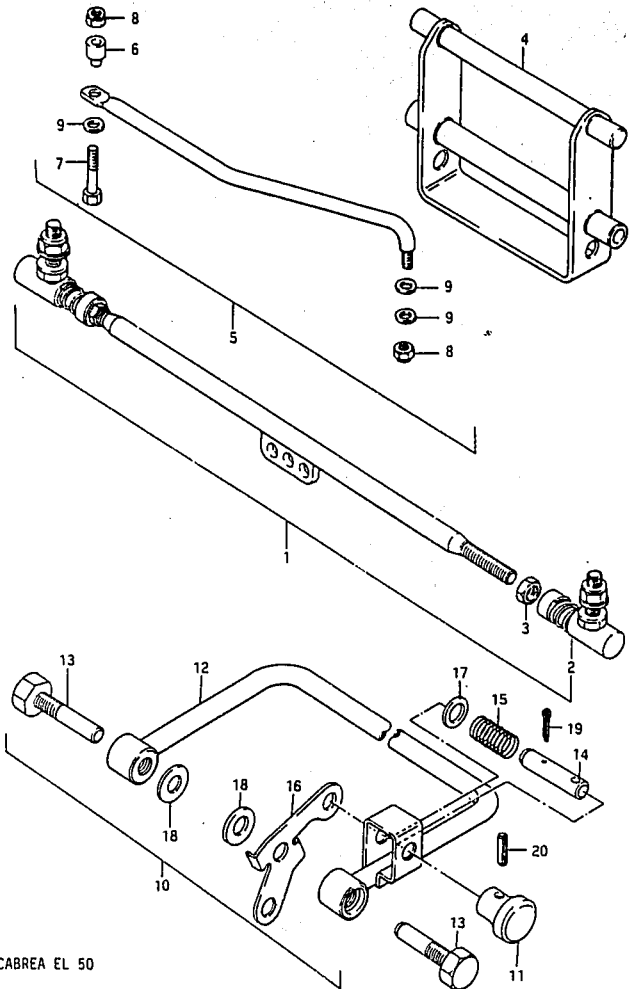


FIG. 33 ( E-12) OPT : TIE ROD

REF.NO.	PART NO.	DESCRIPTION	Q'TY	REMARKS
1	67600-95200	TIE ROD ASSY	1	
2	83450-93720	.JOINT, steering ball	2	
3	09140-12029	.NUT	2	
4	45490-95200	SHAFT, trairling attachment	1	
5	67701-95301	DRAG LINK ASSY	1	
6	67721-94501	.SPACER	1	
7	67725-94501	.BOLT	1	
8	67726-94500	.NUT	2	
9	67728-94501	.WASHER	3	
10	45600-95250	ARM ASSY, trairling	1	
11	41221-98400	.KNOB, arm lock pin	1	
12	45610-95250	.ARM, trairling	1	
13	45615-95250	.BOLT, trairling arm	2	
14	45621-95250	.PIN, arm lock	1	
15	45622-95250	.SPRING, arm lock pin	1	
16	45631-95250	.PLATE, arm lock	1	
17	09160-10082	.WASHER	1	
18	09160-12066	.WASHER	2	
19	09204-01002	.PIN	1	
20	09205-03031	.PIN	1	